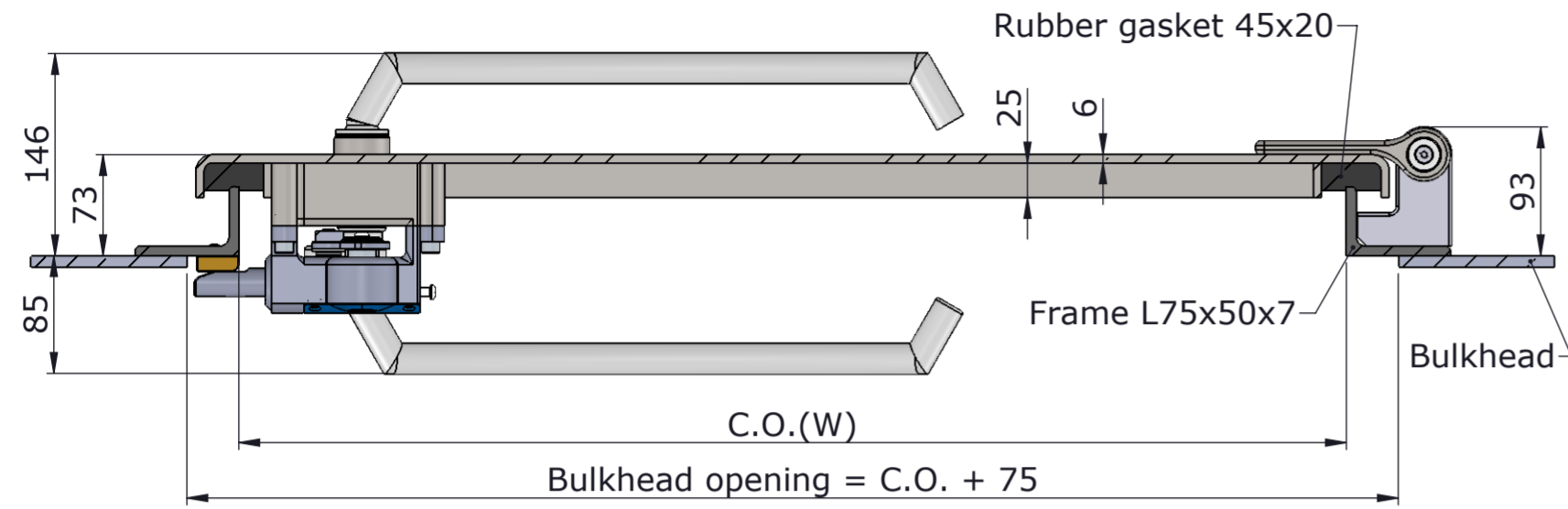
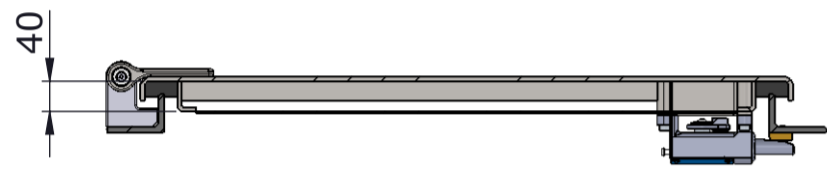


WATERTIGHT CENTRAL CLOSED QUICK PIN DOOR

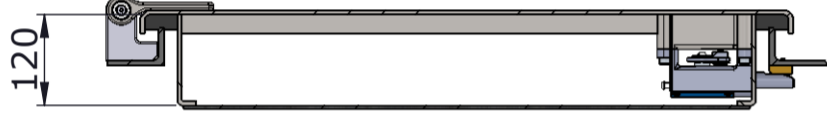
NON INSULATED DOOR



Section A-A



Option 1 : A60 Marine firebatt insulation (low) 40mm



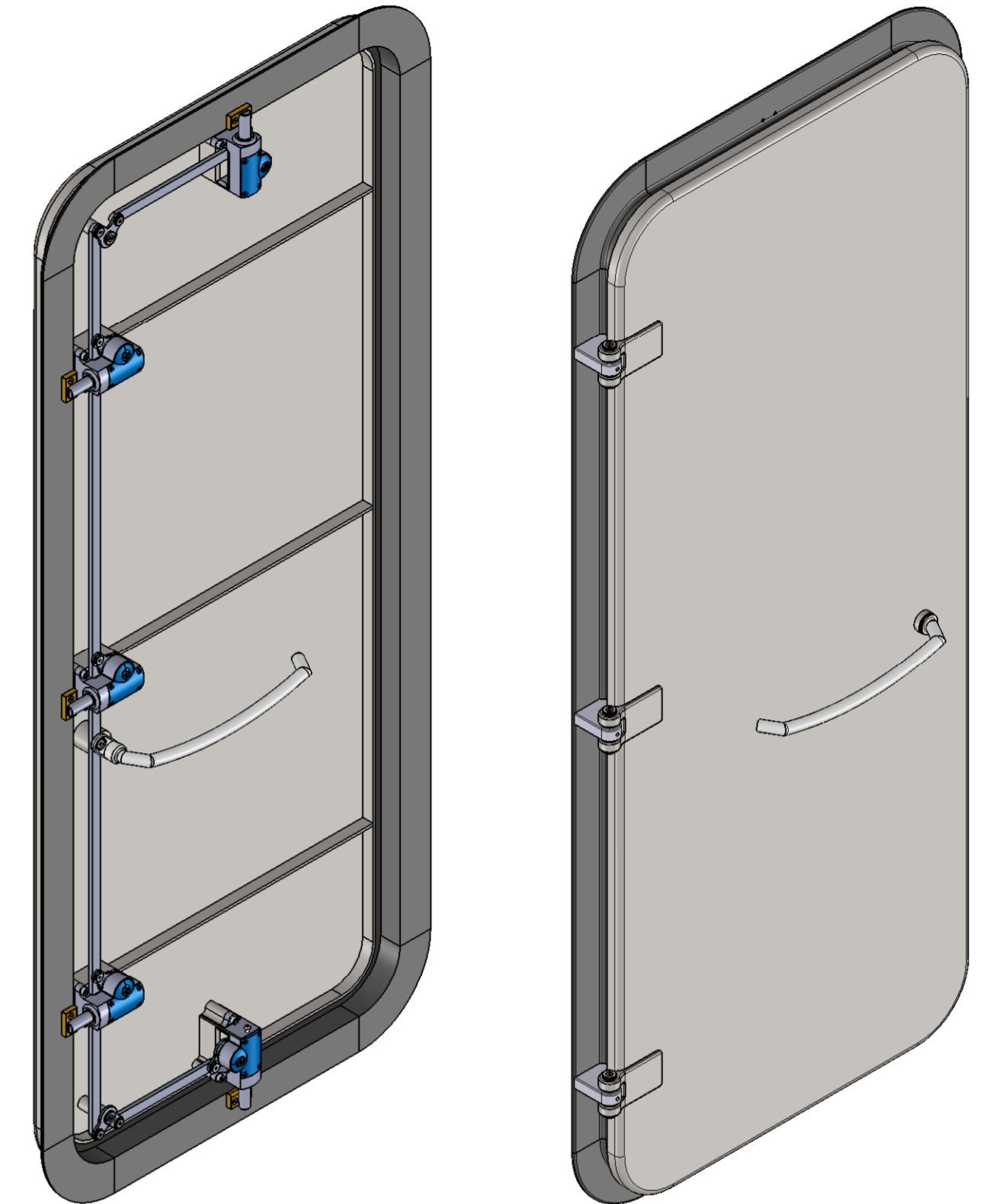
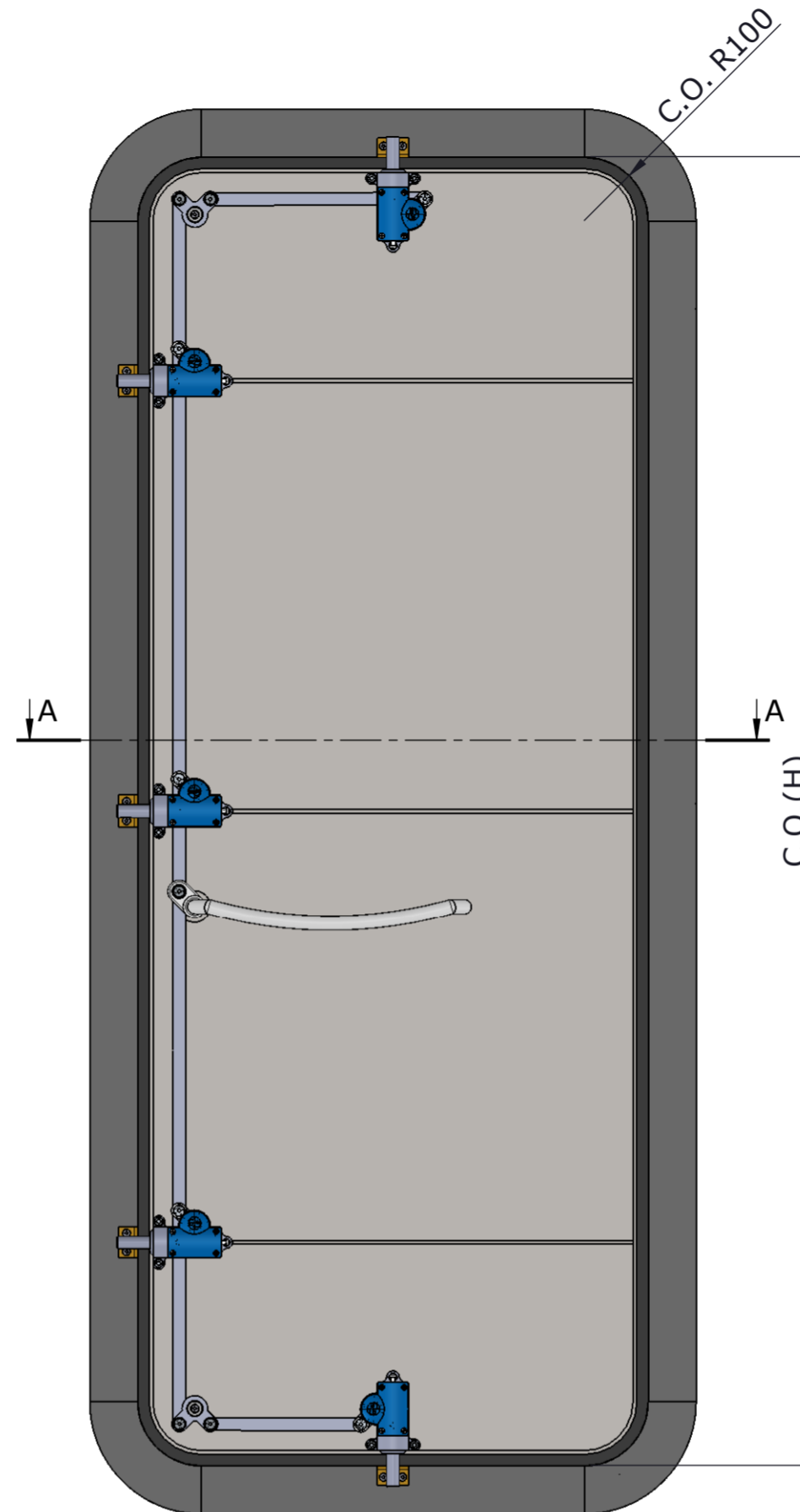
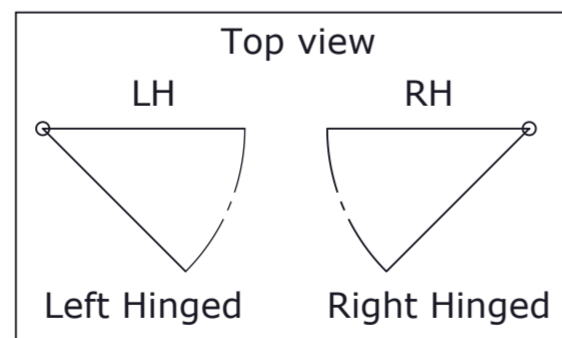
Option 2 : A60 Marine firebatt insulation (high) 100mm

Material door & frame

SS	Steel door / Steel frame
AS	Aluminium door / Steel frame
AA	Aluminium door / aluminium frame
316	Stainless steel door / stainless steel frame

Options

- 1 A60 Marine Firebatt insulation (low) 40mm
- 2 A60 Marine Firebatt insulation (high) 100mm
- 3 Lock with 3 keys
- 4 Hasp & eye for padlock
- 5 Doorstopper DIN 81406
- 6 Doorcloser Dorma
- 7 Storm chain
- 8 Port hole dia.200x12 (Brass)
- 9 Port hole dia.250x12 (Brass)
- 10 Port hole dia 300x12 (Brass)
- 11 Window 600x40x0x12
- 12 Bolted frame



Door	C.O.(W)	C.O.(H)	RH/LH	Qty. Quick pin	Mat. door/frame	Options	Remarks

THORMARINE

THORMARINE BV, Kamplaan 9, 9722SG Groningen, Holland
 Tel: +31(0)50 5274003 Fax: +31(0)84 7203498
 E-mail: sales@thormarine.eu Web: www.thormarine.eu

DRAWING DESCRIPTION:
Watertight central closed quick pin door

DRAWN BY: PW	DRAWING NUMBER: TM-TWD-QP-SS /0	SCALE: 1:10
DATE: 28-03-2013		SIZE: A2
SHEET No: 1	TOTAL SHEETS: 1	PROJECT No: AREA No: DRAWING No: REV. No:

© This drawing and the design and information it presents are the exclusive intellectual property of Argos Engineering and may not be copied, nor communicated to any third party without written consent.