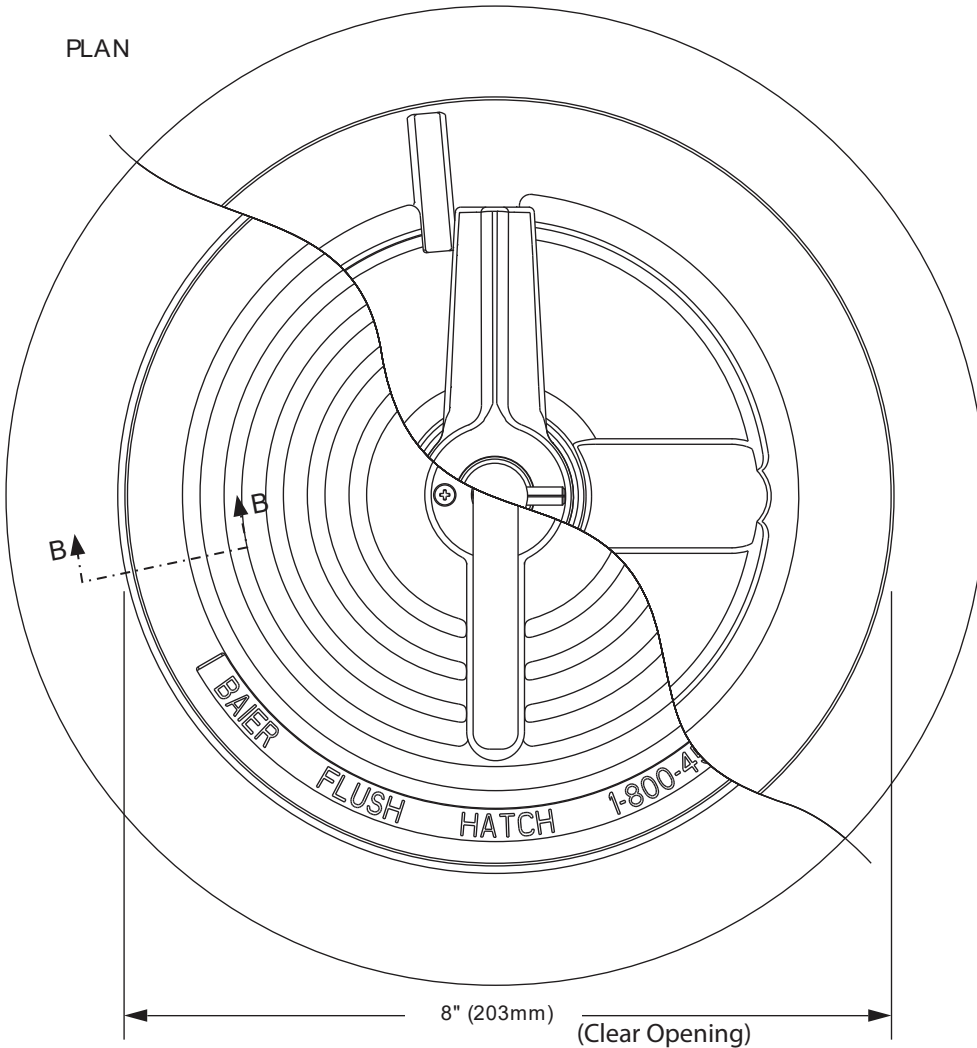


PLAN

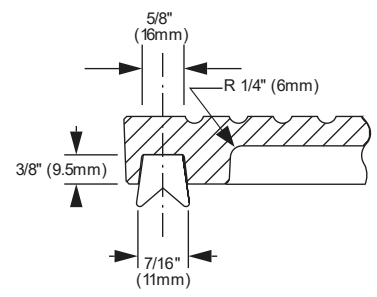


**BILL OF MATERIAL: 08863-110A**

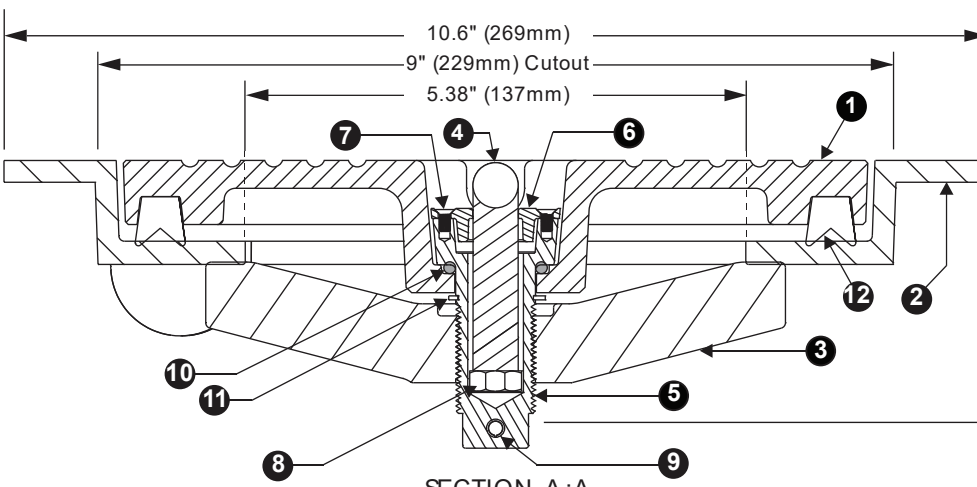
| #  | DESCRIPTION       | MAT   | P/N          |
|----|-------------------|-------|--------------|
| 1  | COVER             | AL    | 08863-108A   |
| 2  | DECK RING         | AL ST | 08863-213A,B |
| 3  | STRONGBACK        | AL    | 08863-217A   |
| 4  | T-HANDLE          | SS    | 08863-402A   |
| 5  | CENTER BOLT       | SS    | 08863-216A   |
| 6  | COVER PLATE       | SS    | WITH T-HNDL  |
| 7  | (4) SCREW M3 x .5 | SS    | 08863-803A   |
| 8  | BOLT, M8          | SS    | WITH T-HNDL  |
| 9  | PIN 5mm x 35 mm   | SS    | 08863-802A   |
| 10 | O-RING            | BUNA  | 08863-706A   |
| 11 | RETAINER RING     | SS    | 08863-806A   |
| 12 | GASKET            | BUNA  | 08863-707A   |

| MATERIAL KEY         | BUNA - NITRILE RUBBER |
|----------------------|-----------------------|
| AL - ALUMINUM        | ZNST - ZINC PLATED ST |
| ST - GALV. STEEL     | BR - BRONZE           |
| SS - STAINLESS STEEL |                       |

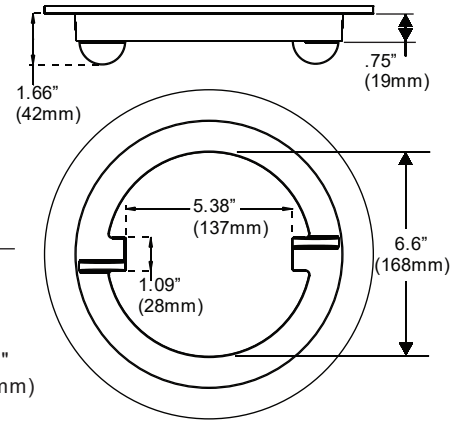
NOTE: BUTT WELD ON STEEL AND ALUMINUM DECKS.  
BOLT DOWN ON WOOD AND FIBERGLASS DECKS  
(FLANGES SUPPLIED BLIND - SHIPYARD TO  
DRILL TO SUIT)



GASKET GROOVE,  
SECTION B:B



SECTION A:A



| HATCH WEIGHTS LBS. (KGS) |           |           |
|--------------------------|-----------|-----------|
| Model Number             | BFHRT8    |           |
| Material                 | AL        | ST        |
| Cover                    | 3.5 (1.6) | N/A       |
| Deck Ring                | 3 (1.4)   | 5.5 (2.5) |

**BAIER** Marine Company, Inc.  
1-800-455-3917  
206-632-2441 (FAX)  
sales@baiermarine.com

**BAIER FLUSH HATCH**  
LIFT-OUT PLAIN DOGGED TYPE  
WITH BUILT-IN T-HANDLE  
TYPE "C" POSITIVE LOCKING  
**MODEL BFHRT8**  
DWG. NO. 08863-110A