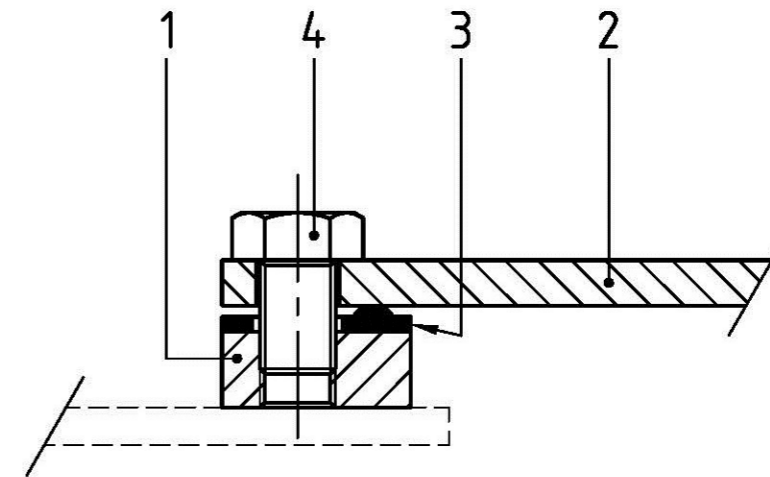
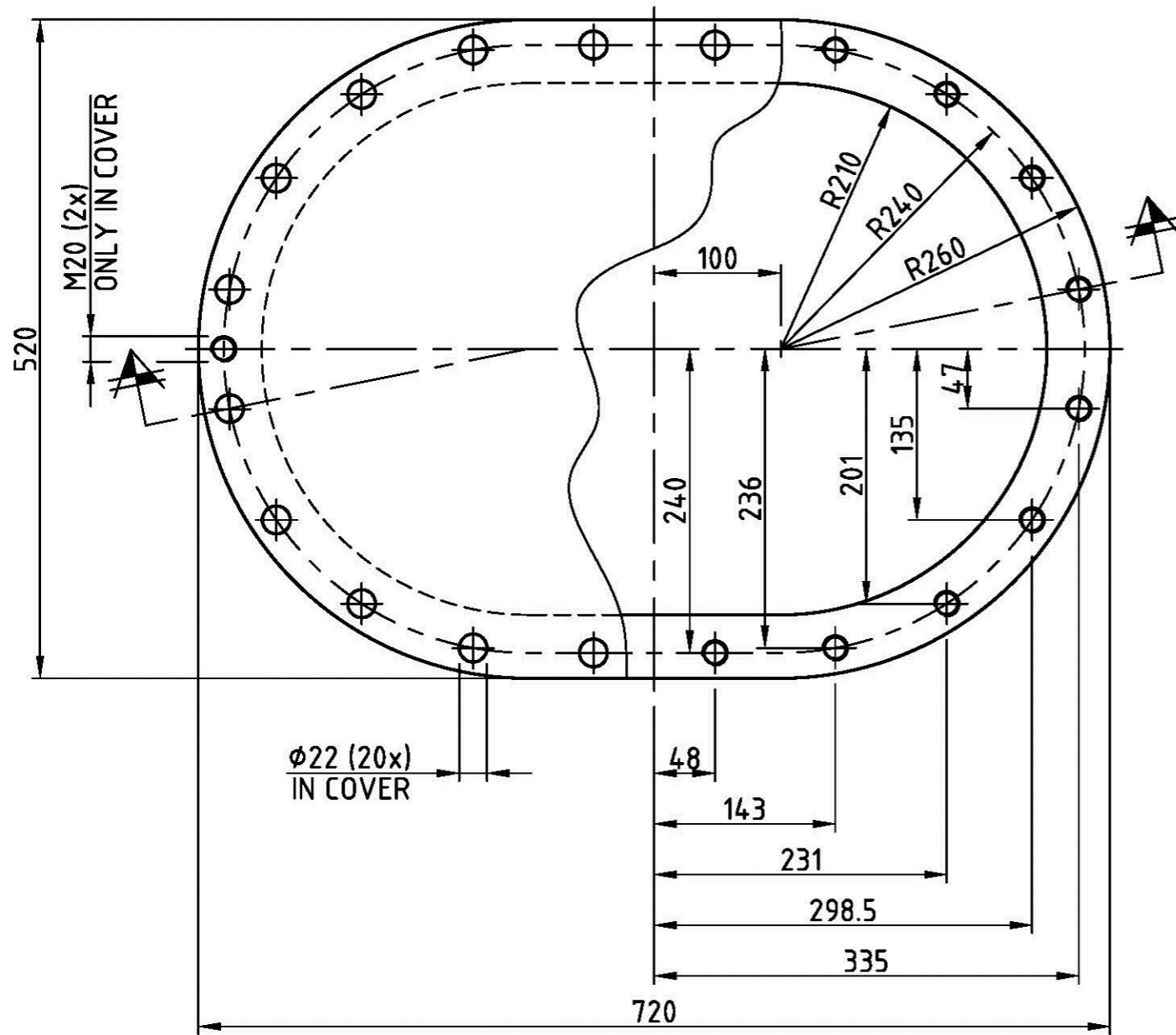
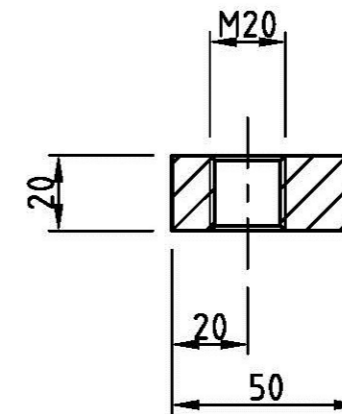


TOP VIEW

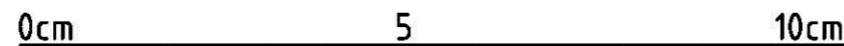
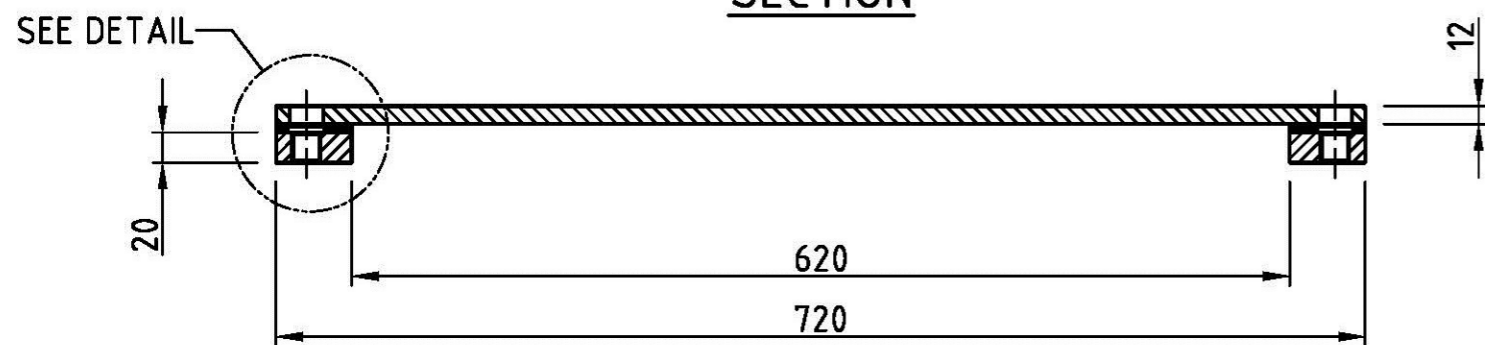


DETAIL



PART DATA	
Part no.	53.SS.535.02
Number per component	1
Material	STAINLESS ST. AISI 316L
Belonging to drawing	-
Remarks	Sharp edges to be removed

SECTION



4	20	Bolt M20x30	St.St. A4	DIN 933	
3	1	Seal	Nitril	DIN 83403-A	65±5° Shore A
2	1	Manhole cover	AISI 316L		
1	1	Manhole ring	AISI 316L		
Pos.	Qty.	Description	Material	Type/Drw. No.	Remarks
Format	Subject: STAINLESS STEEL MANHOLE C/O 600x400			Drawingnumber:	Rev.
A3	Component: TYPE A - OVAL			535.02	B

THORMARINE

Drawn : BCS
Date : 12-02-2005
Scale : 1:5 / 1:2