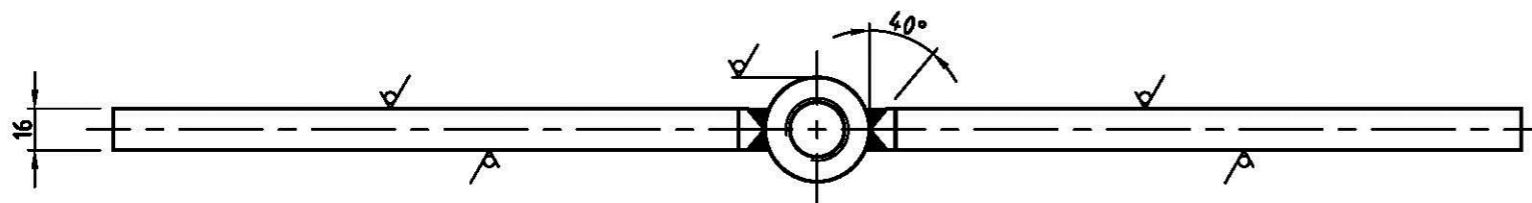
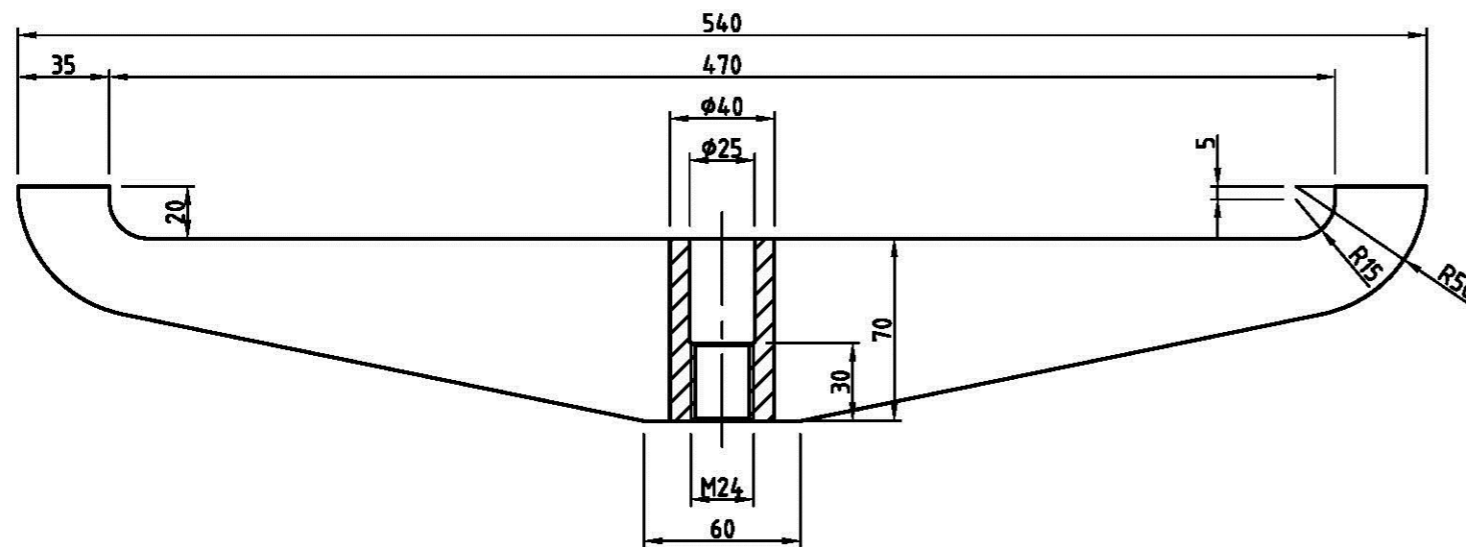


PART DATA	
Part no.	51.ST.540.01
Number per component	1
Material	STEEL GRADE A Grade A - LRS
Belonging to drawing	-
Remarks	Sharp edges to be removed

**POS. 4**  $\nabla$   $\sqrt{6.3}$   $\sqrt{6.3}$



NOTE: THREAD BUSH TO BE MADE OF STAINLESS STEEL 316

Pos.	Qty.	Description	Material	Type/Drw. No.	Remarks
10	1	Self locking nut M24	Stainless Steel	DIN 985	St.St. A4
9	1	Washer M24	Stainless Steel	DIN 125A	St.St. A4
8	1	Plain washer $\phi 43 \times \phi 25 \times 3 \text{mm}$	Nitril		NBR 70° Shore A
7	1	Bolt M24x150	Stainless Steel	DIN 933	St.St. A4
6	1	Seal $\phi 8$	Nitril		NBR 70° Shore A
5	1	Recessed bolt housing	Steel Grade A		
4	1	Lever	Steel Grade A		Thread bush St.St.
3	1	Bracket	Steel Grade A		
2	1	Manhole cover	Steel Grade A		
1	1	Manhole ring	Steel Grade A		

Format	A2	Subject:	STEEL MANHOLE C/O $\phi 470$	Drawingnumber:	540.01	Rev.	B
		Component:	TYPE CENTRAL CLOSED FLUSH $\phi 560 / \phi 470$	Drawn :	BCS	Date :	12-02-2005
				Scale :	1:2		

**THORMARINE**

0cm 5 10cm