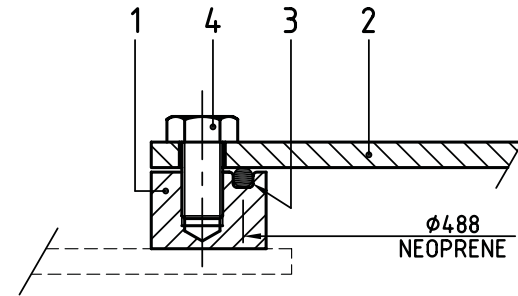
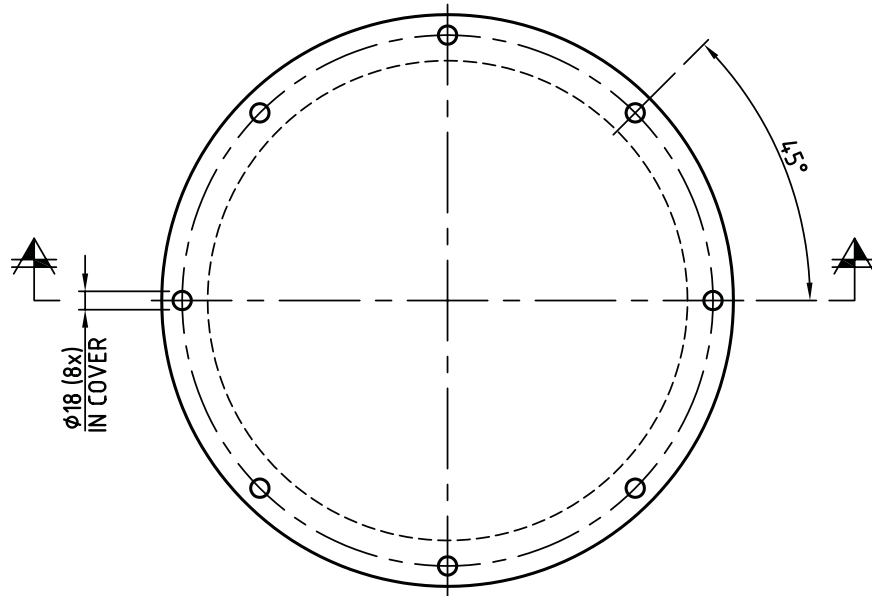
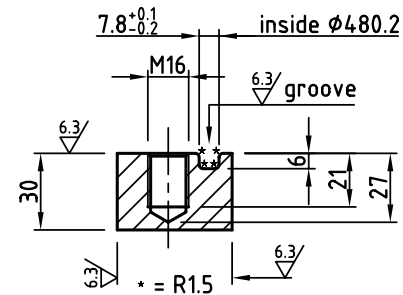


**TOP VIEW**

∇ (6.3)

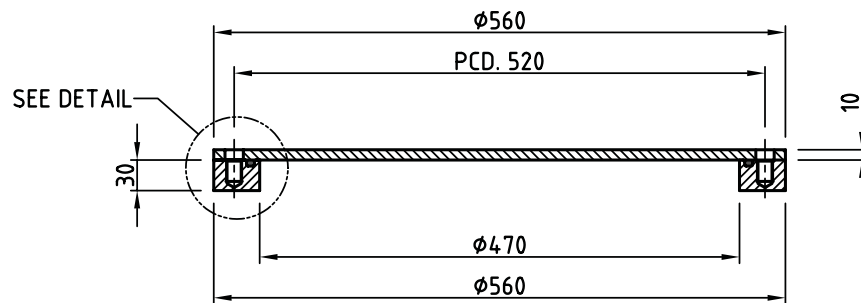


**DETAIL**



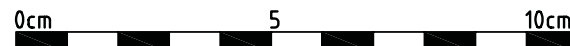
PART DATA	
Part no.	51.ST.513.05
Number per component	1
Material	STEEL GRADE A Grade A - LRS
Belonging to drawing	-
Remarks	Sharp edges to be removed

**SECTION**



4	8	Bolt M16x30	Steel 8.8	DIN 933	Hot dipped galv.
3	1	Seal φ8	Nitril		NBR 70° Shore A
2	1	Manhole cover	Steel Grade A		
1	1	Manhole ring	Steel Grade A		
Pos.	Qty.	Description	Material	Type/Drw. No.	Remarks

Format	Subject:	STEEL MANHOLE C/O φ450	Drawingnumber:	Rev.
A3	Component:	TYPE D - 8 BOLTS	513.05	B



**THORMARINE**

Drawn : BCS  
Date : 12-02-2005  
Scale : 1:5 / 1:2