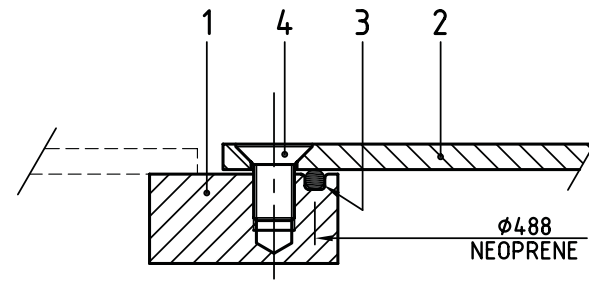
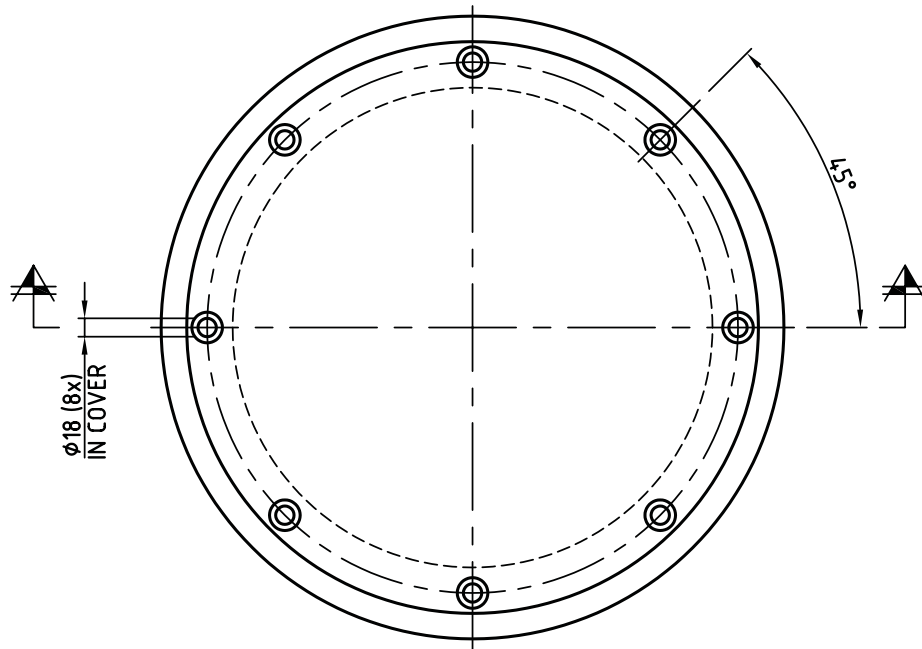
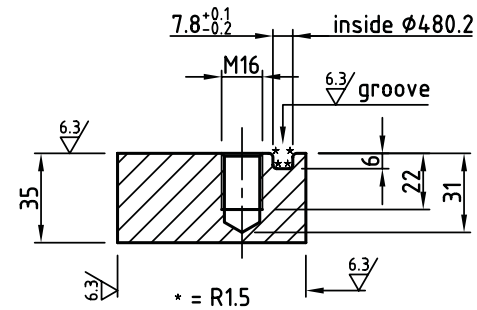


TOP VIEW

∇ (6.3)

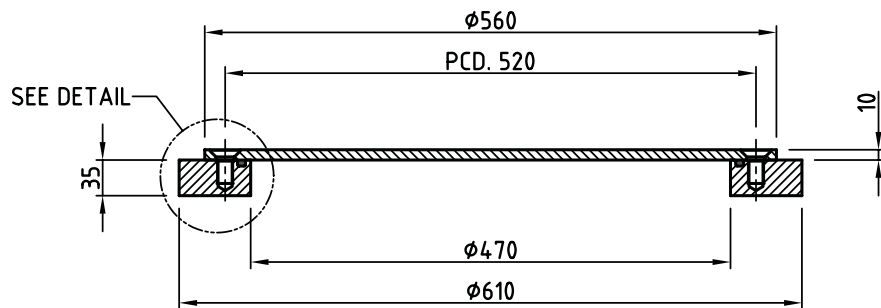


DETAIL



PART DATA	
Part no.	51.ST.512.01
Number per component	1
Material	STEEL GRADE A Grade A - LRS
Belonging to drawing	-
Remarks	Sharp edges to be removed

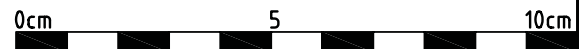
SECTION



Pos.	Qty.	Description	Material	Type/Drw. No.	Remarks
4	8	Bolt M16x30	Steel 8.8	DIN 7991	Hot dipped galv.
3	1	Seal φ8	Nitril		NBR 70° Shore A
2	1	Manhole cover	Steel Grade A		
1	1	Manhole ring	Steel Grade A		

Format	Subject: STEEL MANHOLE C/O φ470	Drawingnumber:	Rev.
A3	Component: TYPE B FLUSH - 8 BOLTS	512.01	C

THORMARINE



Drawn : BCS
Date : 12-02-2005
Scale : 1:5 / 1:2