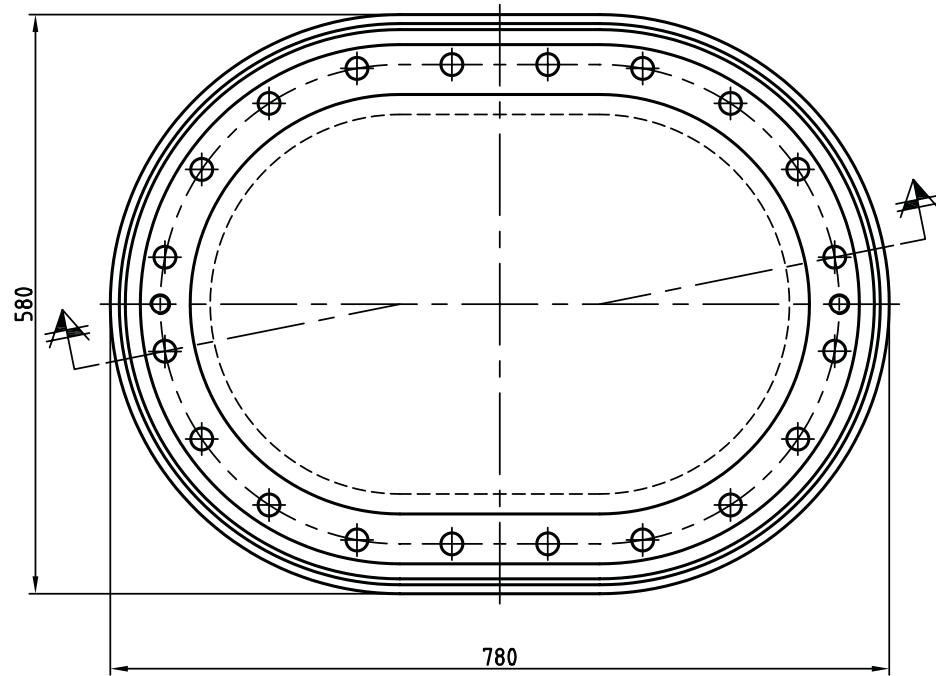
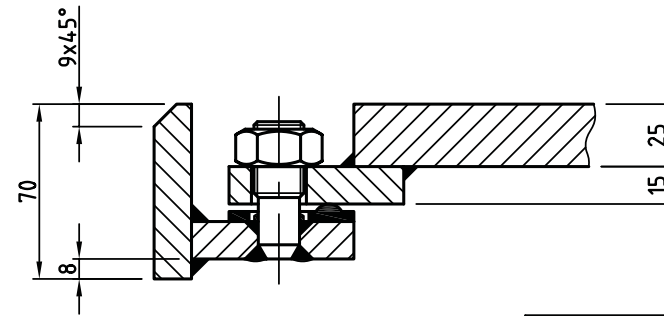


TOP VIEW

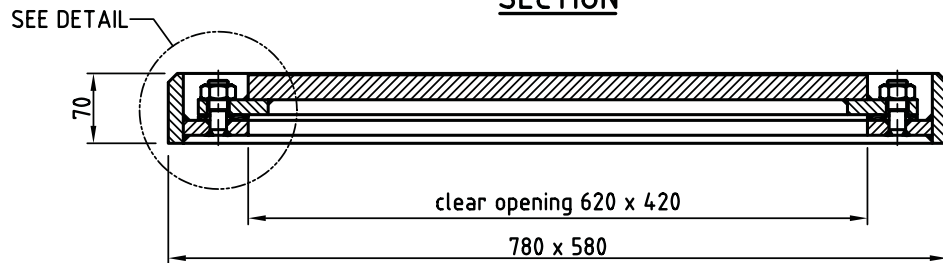


DETAIL



PART DATA	
Part no.	51.ST.511.04
Number per component	1
Material	STEEL GRADE A Grade A - LRS
Belonging to drawing	-
Remarks	Sharp edges to be removed

SECTION



5	1	Seal	Nitril	DIN 83403-A	65±5° Shore A
4	20	Nut	Stainless Steel	DIN934 A4-80	
3	20	Stud bolt	Stainless Steel	DIN933 A4-70	Made out of M20x60
2	1	Manhole cover	Steel Grade A	511.54	Part no. 51.ST.511.54
1	1	Manhole ring	Steel Grade A	511.64	Part no. 51.ST.511.64
Pos.	Qty.	Description	Material	Type/Drw. No.	Remarks

Format <b>A3</b>	Subject: <b>STEEL MANHOLE C/O 620x420</b>			Drawingnumber:	<b>511.04</b>	Rev. <b>C</b>
	Component: <b>TYPE C FLUSH - OVAL</b>					
<b>THORMARINE</b>				Drawn : BCS		
				Date : 12-02-2005		
				Scale : 1:5 / 1:2		

