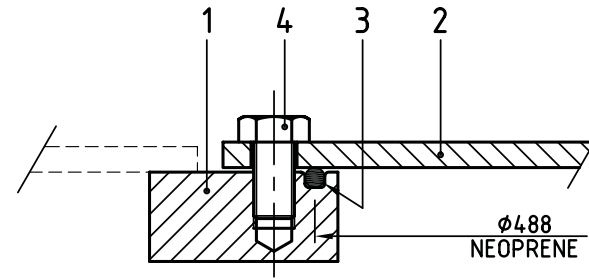
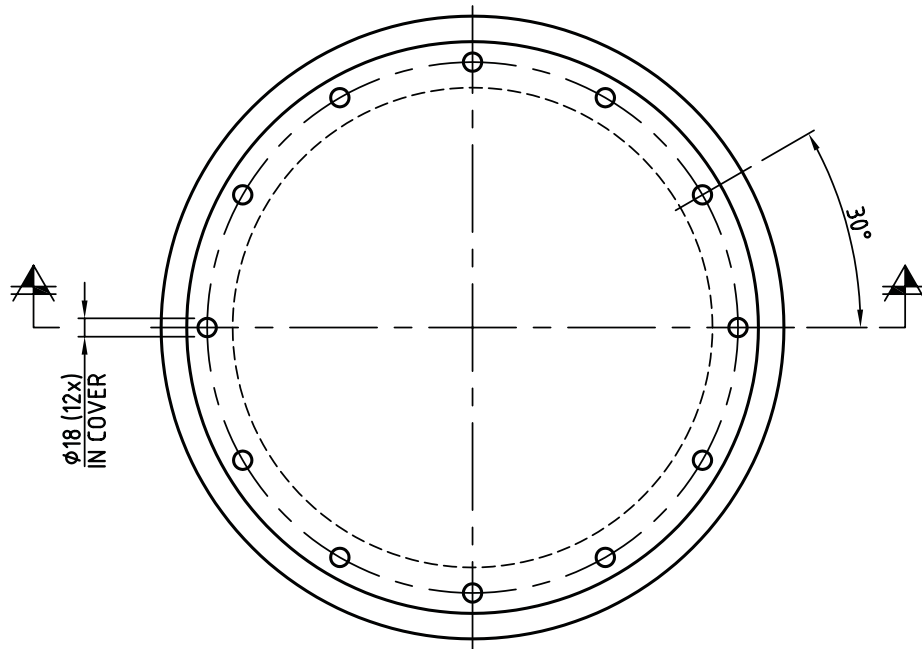
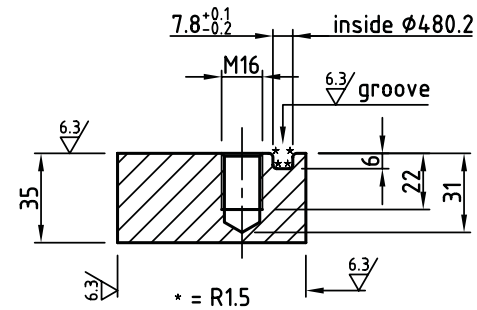


TOP VIEW

∇ (6.3)

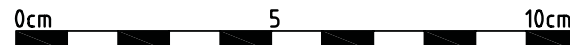
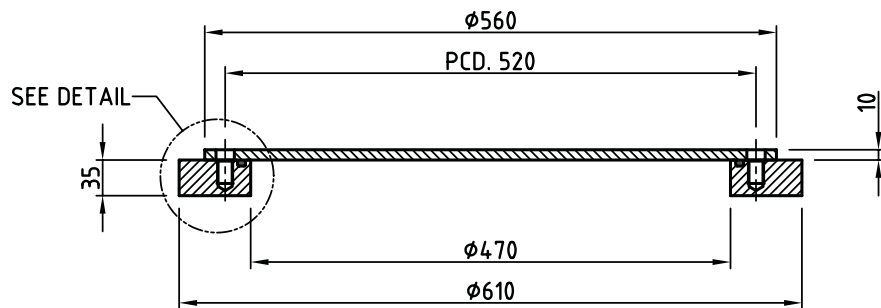


DETAIL



PART DATA	
Part no.	51.ST.511.02
Number per component	1
Material	STEEL GRADE A Grade A - LRS
Belonging to drawing	-
Remarks	Sharp edges to be removed

SECTION



4	12	Bolt M16x30	Steel 8.8	DIN 933	Hot dipped galv.
3	1	Seal φ8	Nitril		NBR 70° Shore A
2	1	Manhole cover	Steel Grade A		
1	1	Manhole ring	Steel Grade A		
Pos.	Qty.	Description	Material	Type/Drw. No.	Remarks

Format	Subject:	STEEL MANHOLE C/O φ470	Drawingnumber:	Rev.
A3	Component:	TYPE A FLUSH - 12 BOLTS	511.02	C

THORMARINE

Drawn :	BCS
Date :	12-02-2005
Scale :	1:5 / 1:2