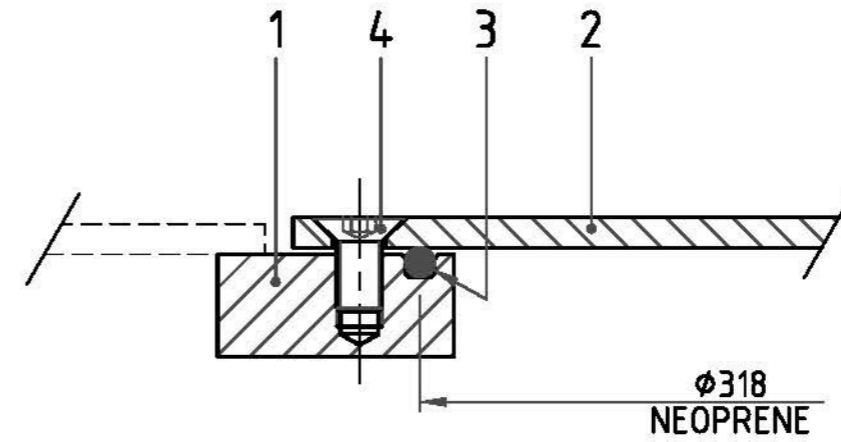
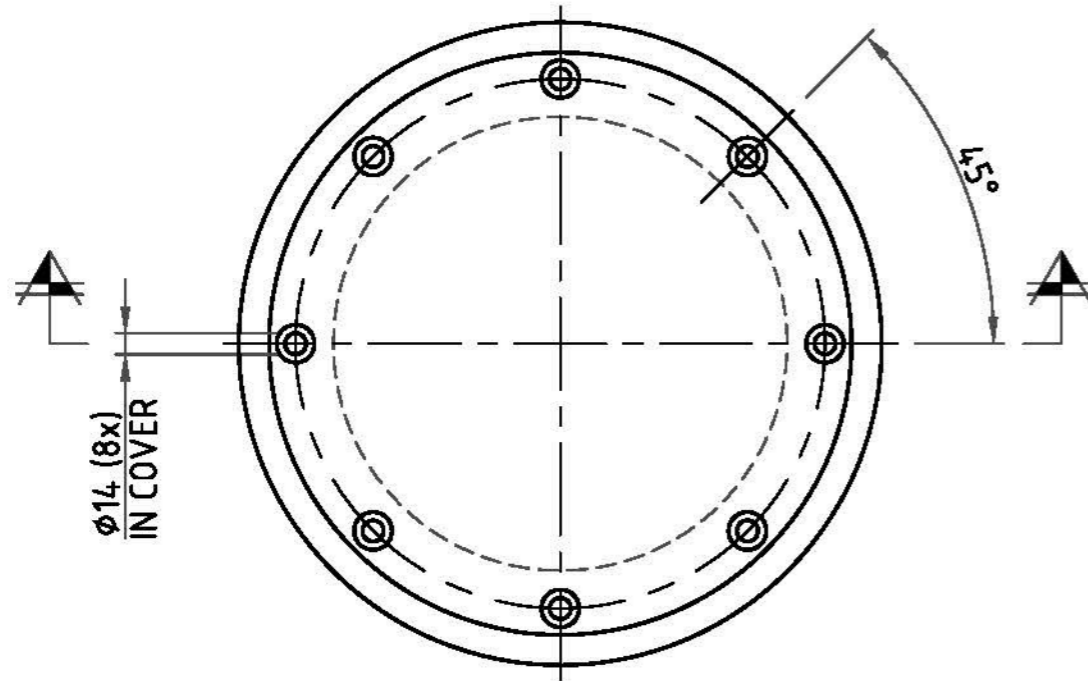
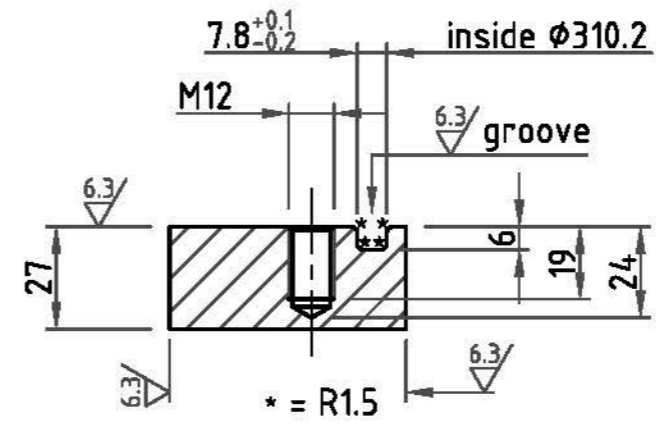


✓ (6.3)

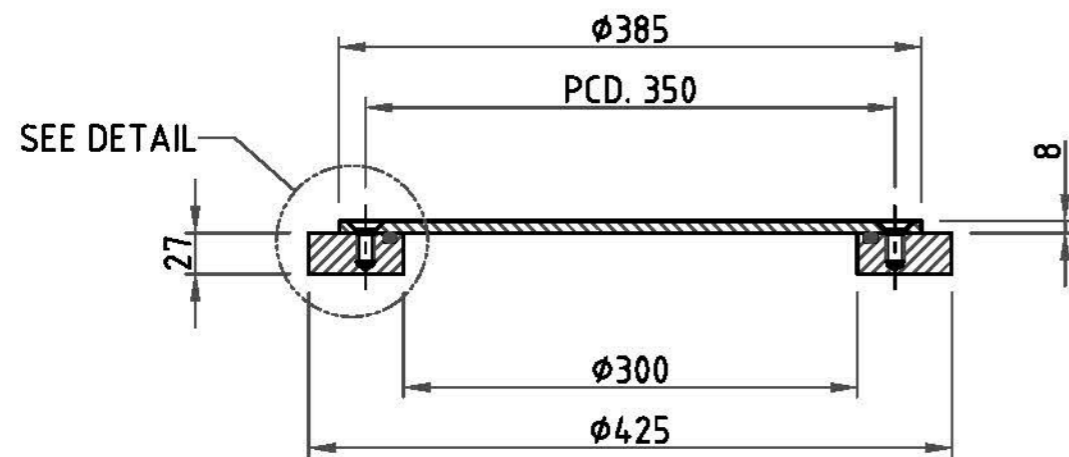
TOP VIEW



DETAIL



SECTION



PART DATA	
Part no.	51.ST.510.05
Number per component	1
Material	STEEL GRADE A Grade A - LRS
Belonging to drawing	-
Remarks	Sharp edges to be removed

Pos.	Qty.	Description	Material	Type/Drw. No.	Remarks
4	8	Bolt M12x25	Steel 8.8	DIN 7991	Hot dipped galv.
3	1	Seal φ8	Nitril		NBR 70° Shore A
2	1	Manhole cover	Steel Grade A		
1	1	Manhole ring	Steel Grade A		

Subject: STEEL FLUSH HANDHOLE C/O φ300

Drawingnumber: 510.05 Rev. -

THORMARINE

Format A3
 Drawn : BCS
 Date : 24-01-2013
 Scale : 1:5 / 1:2

