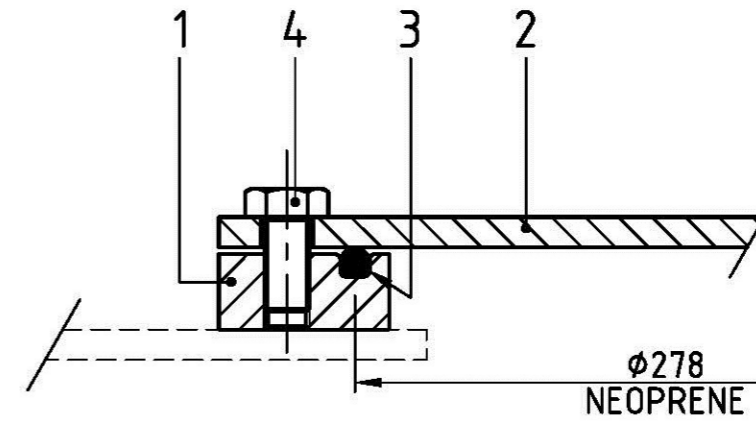
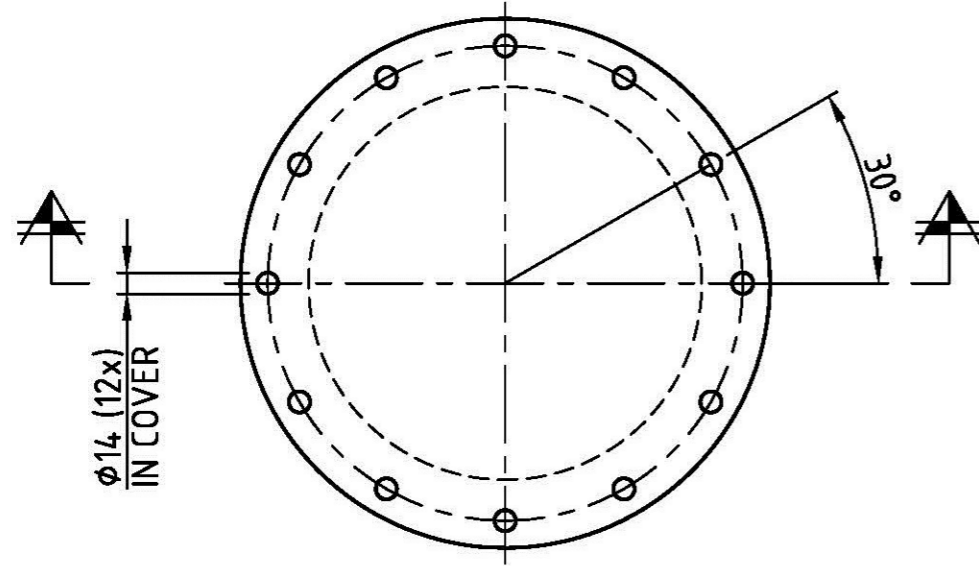
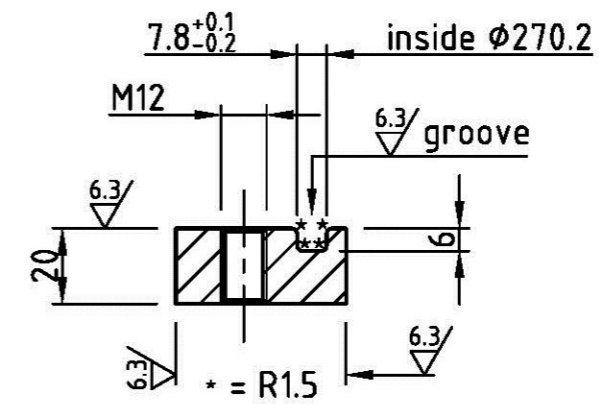


✓ (6.3)

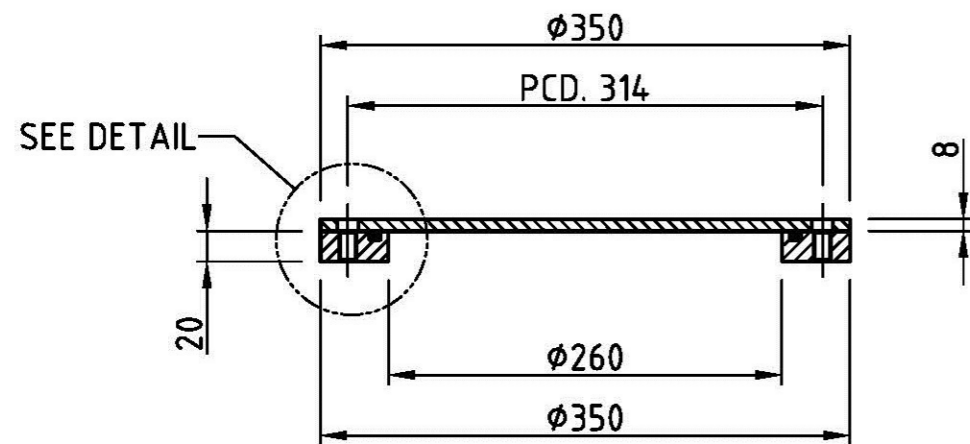
TOP VIEW



DETAIL



SECTION



PART DATA	
Part no.	51.ST.510.04
Number per component	1
Material	STEEL GRADE A Grade A - LRS
Belonging to drawing	-
Remarks	Sharp edges to be removed

4	12	Bolt M12x25	Steel 8.8	DIN 933	Hot dipped galv.
3	1	Seal Ø8	Nitril		NBR 70° Shore A
2	1	Manhole cover	Steel Grade A		
1	1	Manhole ring	Steel Grade A		
Pos.	Qty.	Description	Material	Type/Drw. No.	Remarks
Format	Subject: STEEL HANDHOLE C/O Ø240				Drawingnumber:
A3	Component: TYPE S - 12 BOLTS				510.04
					Rev. -
					Drawn : BCS
					Date : 10-02-2009
					Scale : 1:5 / 1:2

0cm 5 10cm

THORMARINE