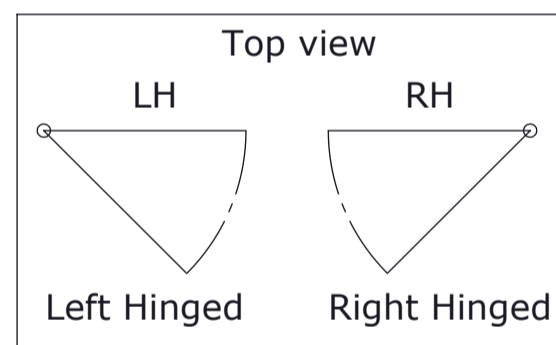
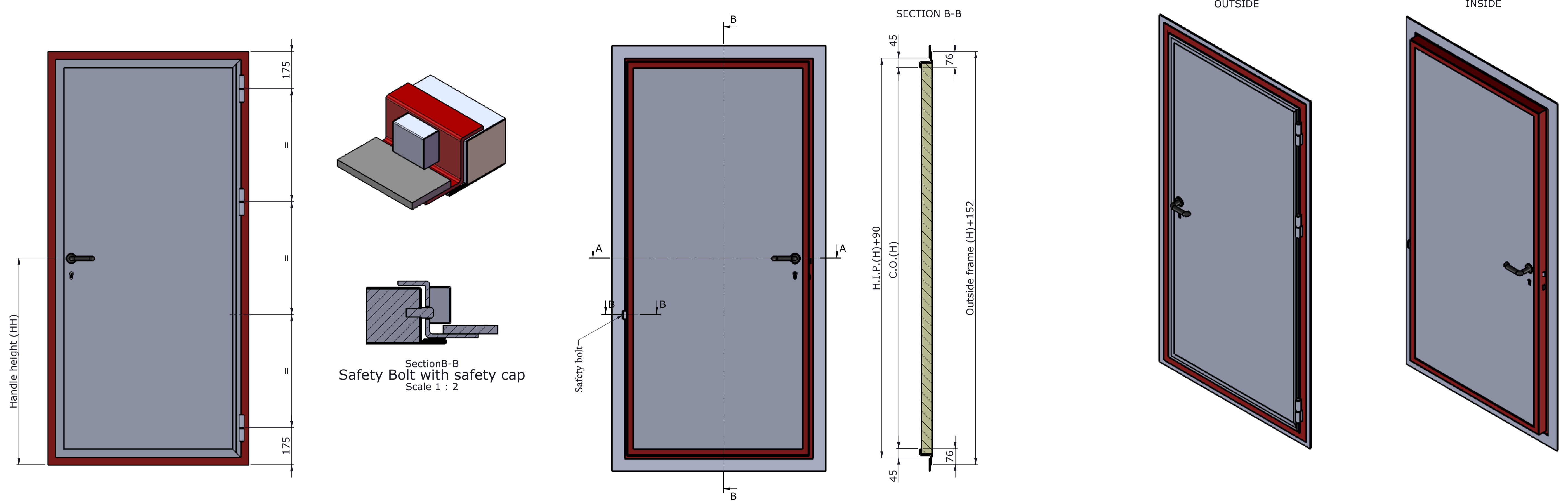
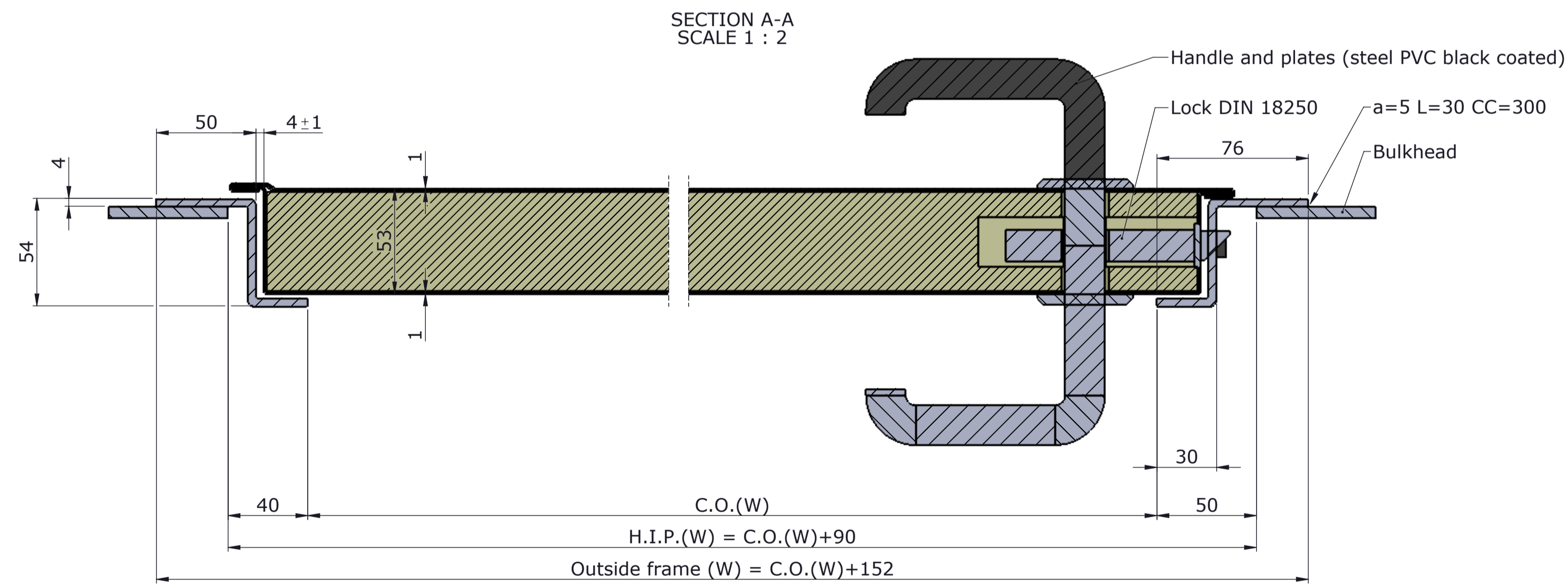


A60 RATED DOOR (WITH Z-PROFILE FRAME)



Options (for details see sheet 2-2)

| | |
|----|--|
| 0 | Sill type (A,B,C,D) |
| 1 | Frame predrilled for bolting (M8 @100mm) |
| 2 | Storm chain, mounted inside (loose delivery) |
| 3 | Stainless steel hinges (3 pcs.) |
| 4 | Recessed doorhandle outside with stainless steel inlet |
| 5A | Panic bar DIN 1125 WSS - PS 99 (single) |
| 5B | Panic bar DIN 1125 WSS - PS 99 (3 points lock) |
| 6A | Doorcloser Dorma TS83-7, stainless housing (inside) |
| 6B | Doorcloser Dorma TS83-7, stainless housing (outside) |
| 7 | Eurocylinder (incl. 3 keys) |
| 8 | Seal frame |
| 9 | Window 250x250x27mm (A60 rated) |
| 9A | 250x250x27mm |
| 9B | 400x400x27mm |
| 9C | 400x600x27mm |



A60 fire rated door, complete with:

- * A60 Certificate: 86-616-10HH
- * Lock DIN 18250 with handle and plates steel PVC black coated
- * Doorleaf 2x1mm galvanised steel sheets
- * Z-profile welding frame of mild steel
- * Safety bolt with safety cap
- * Door and frame primed

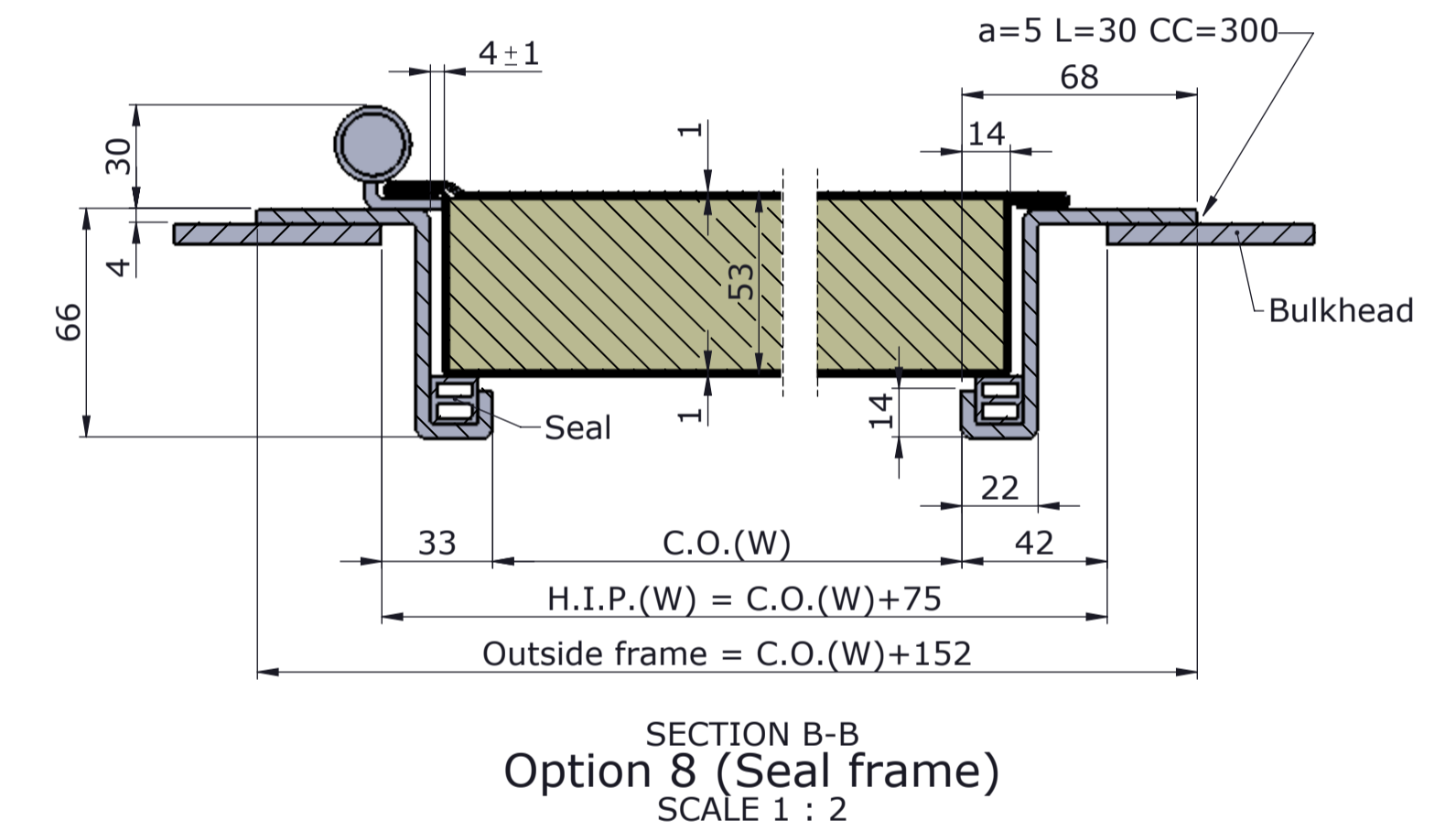
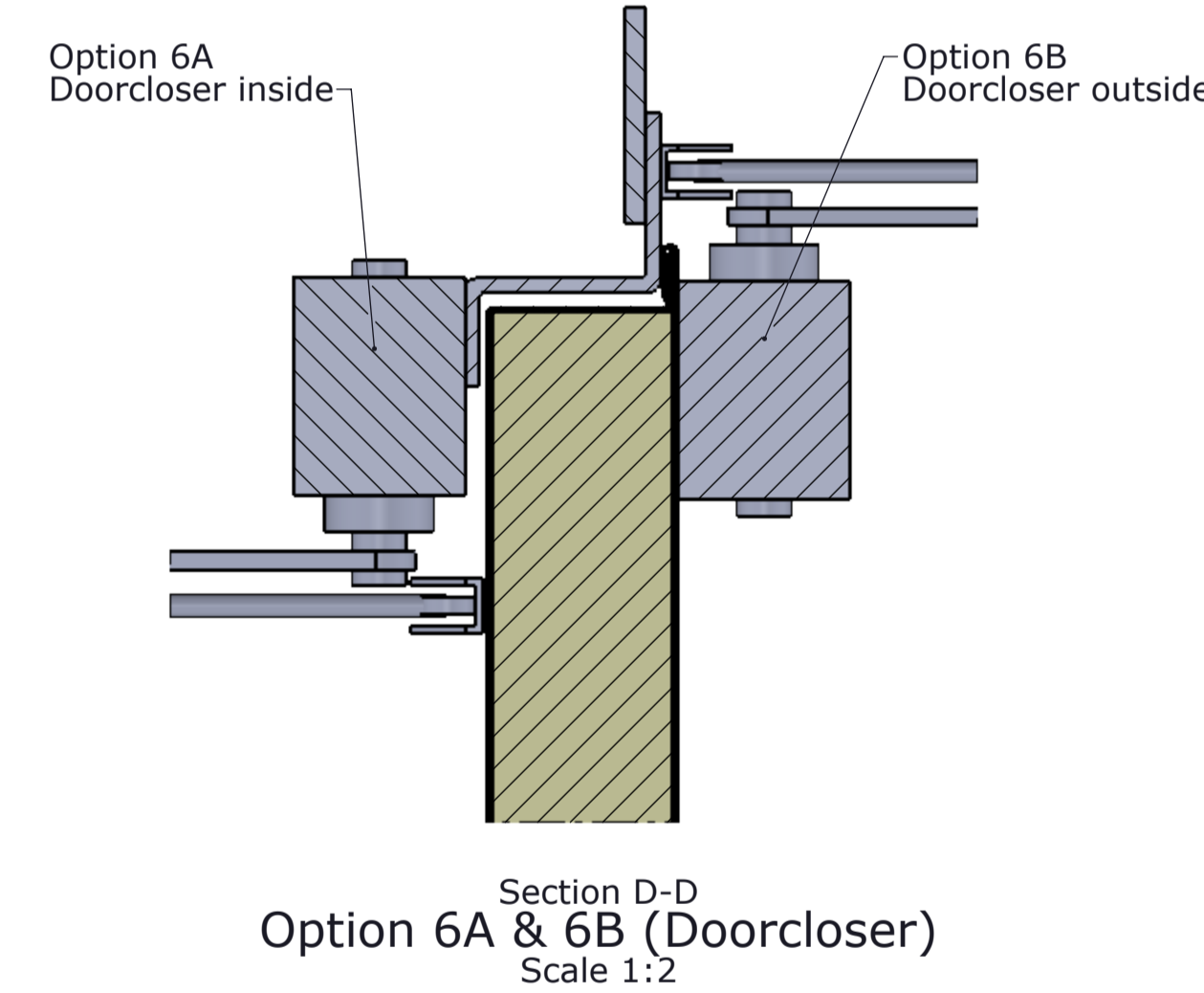
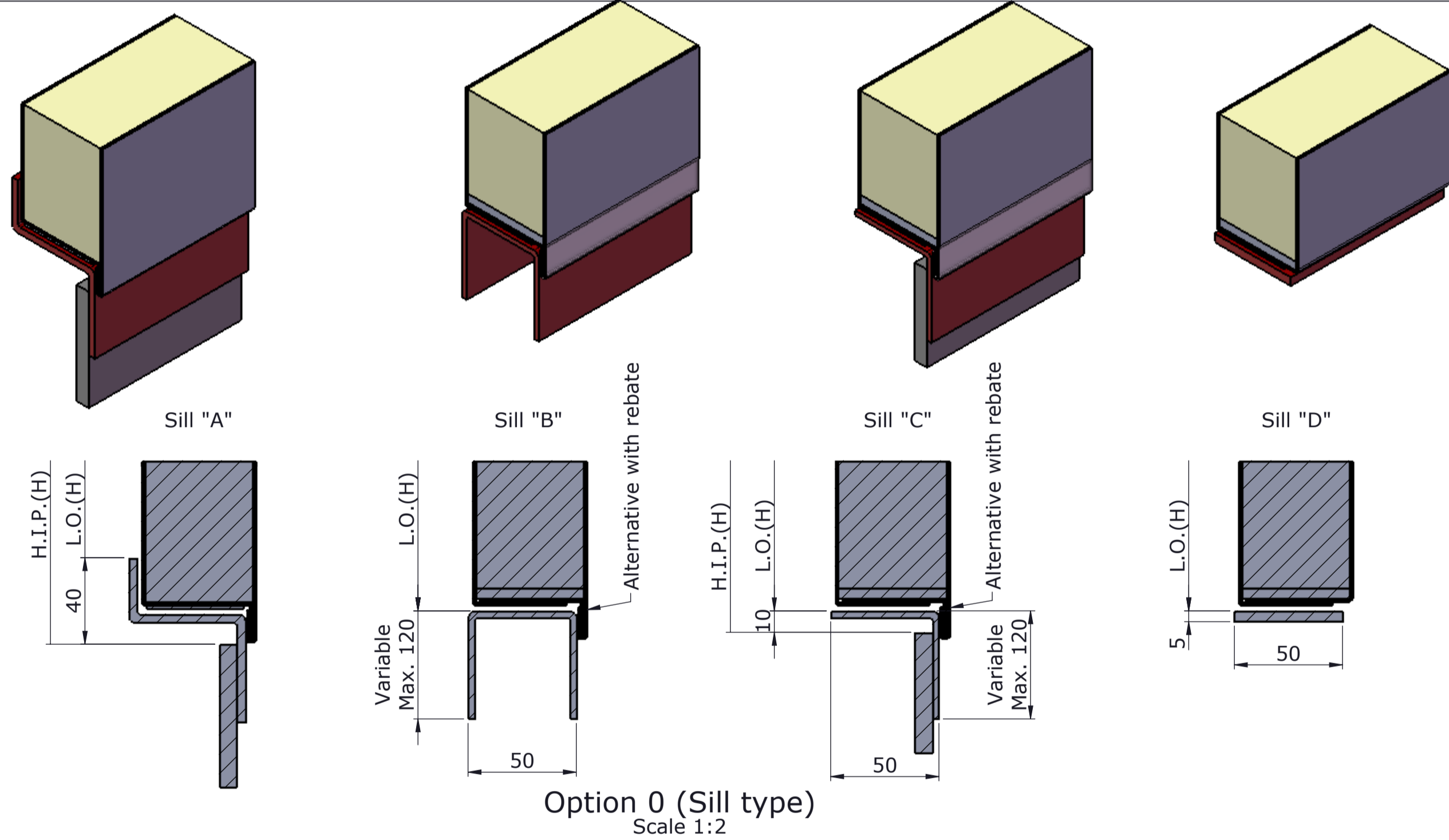
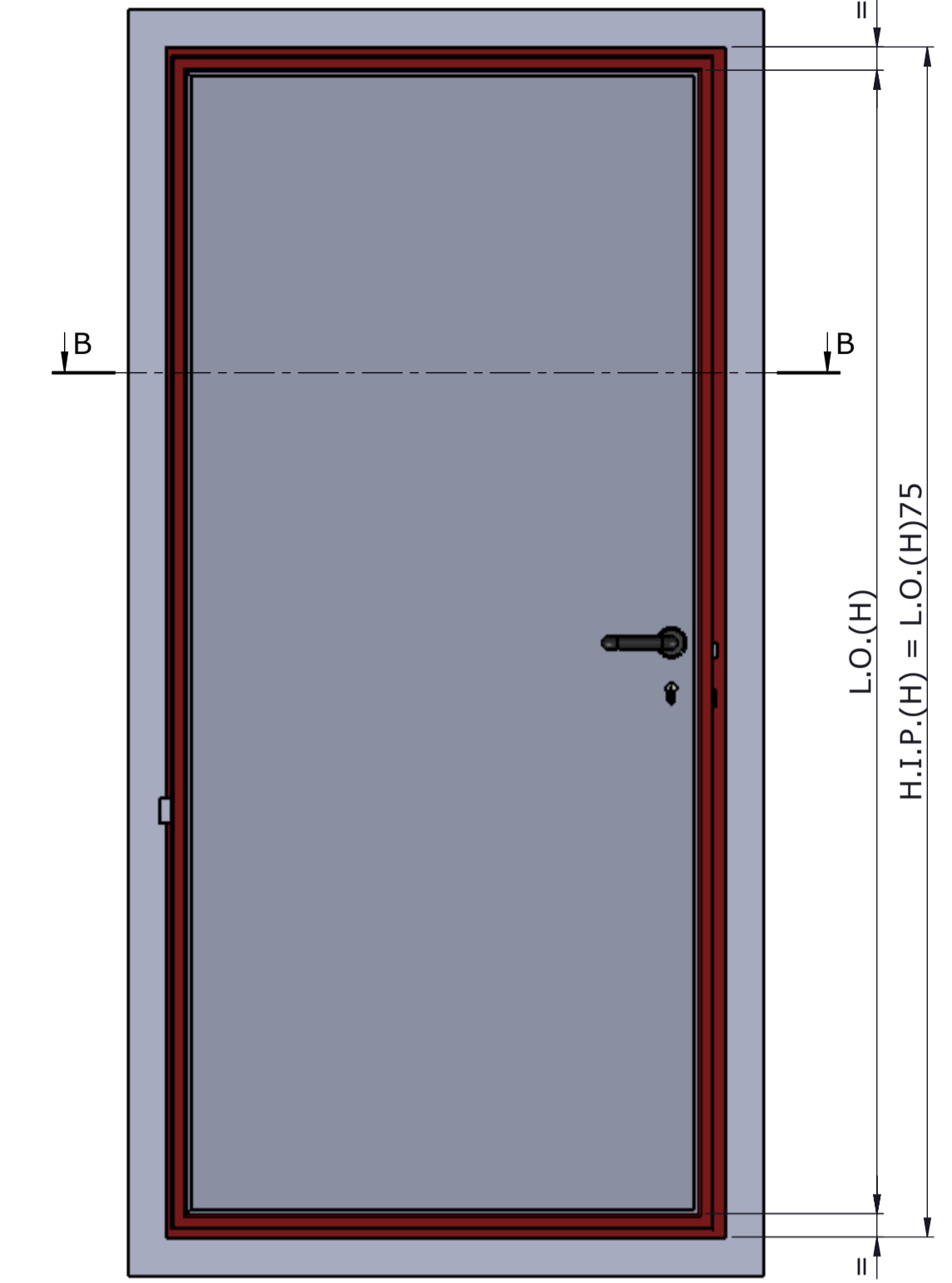
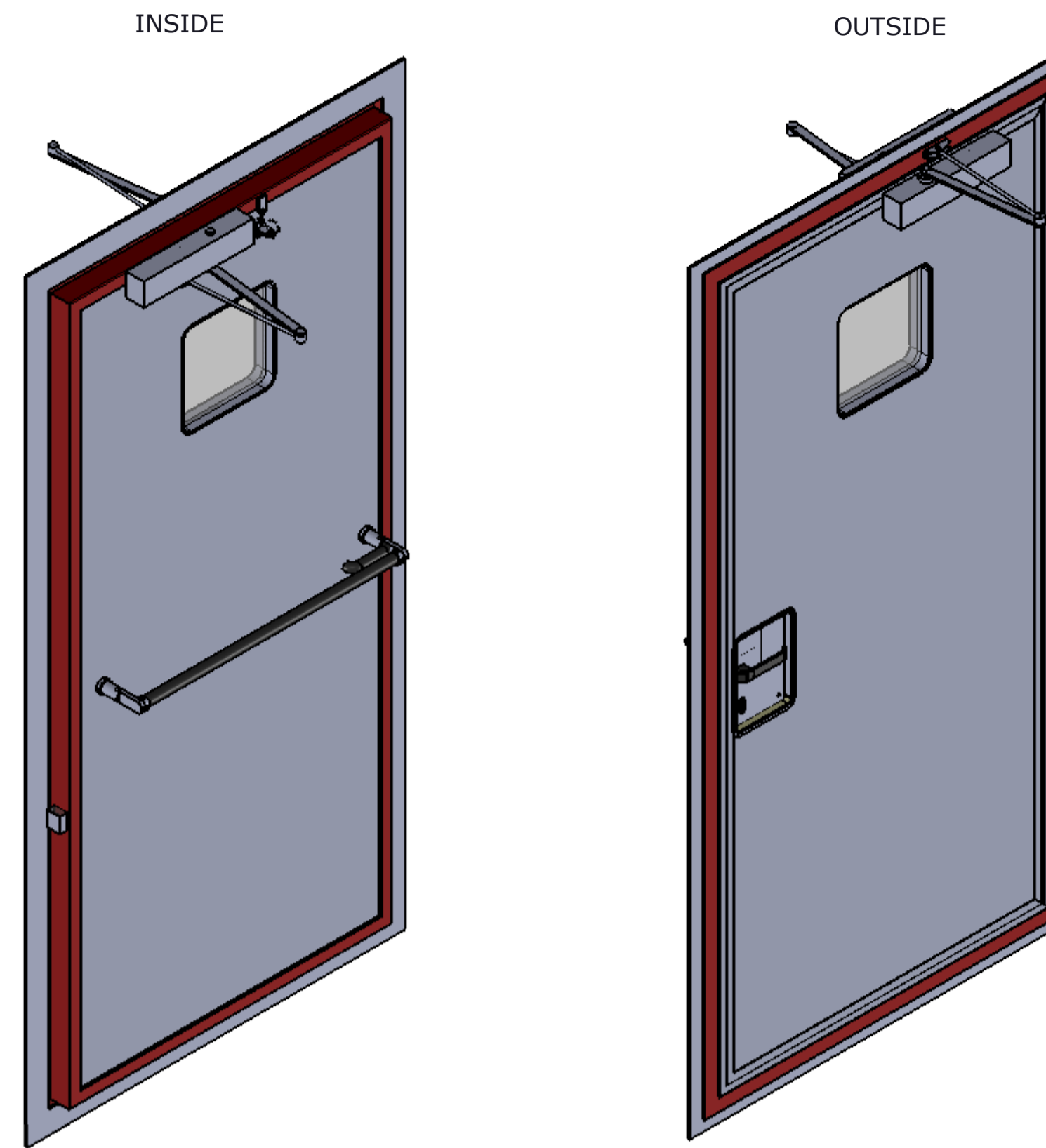
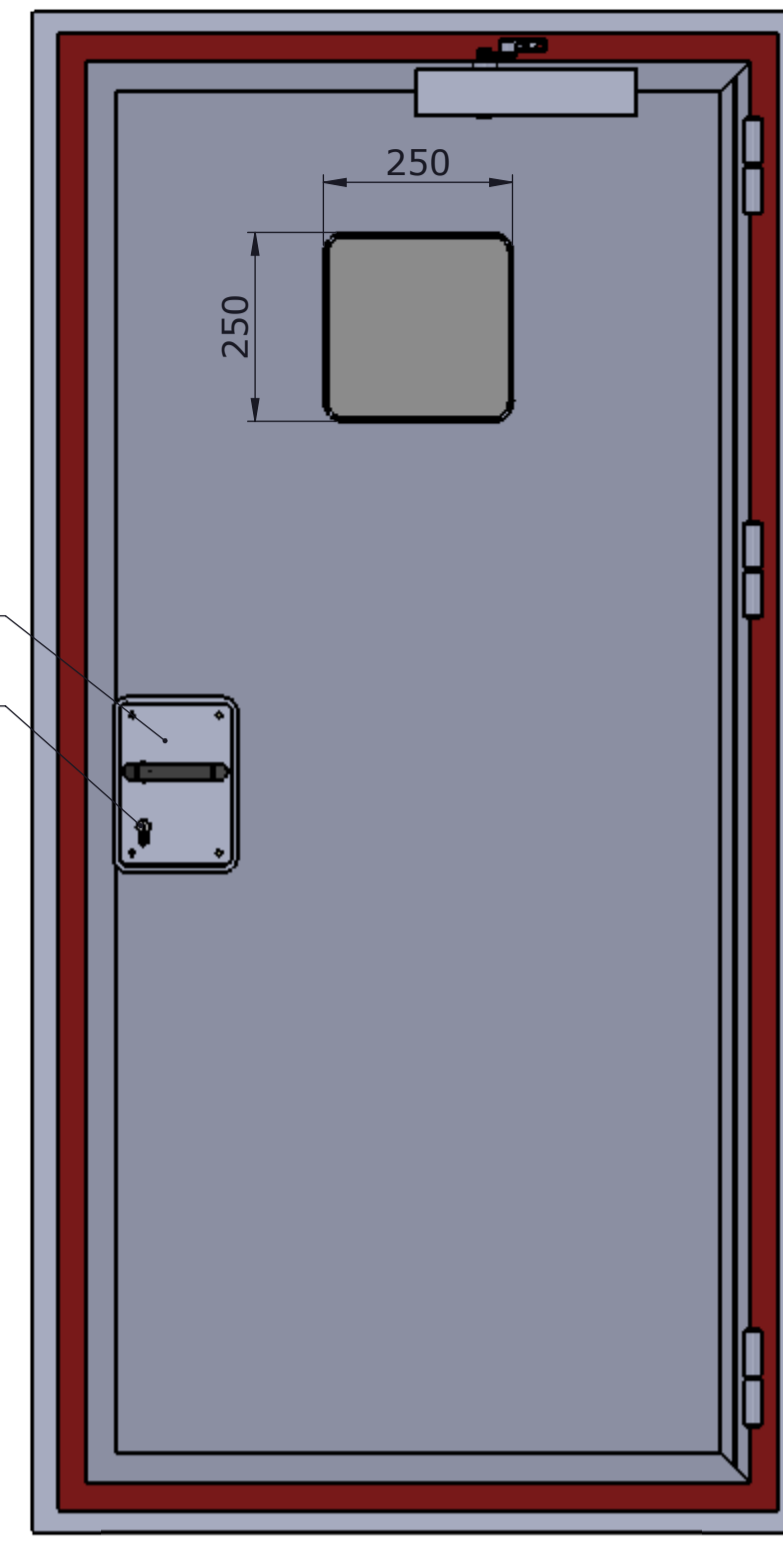
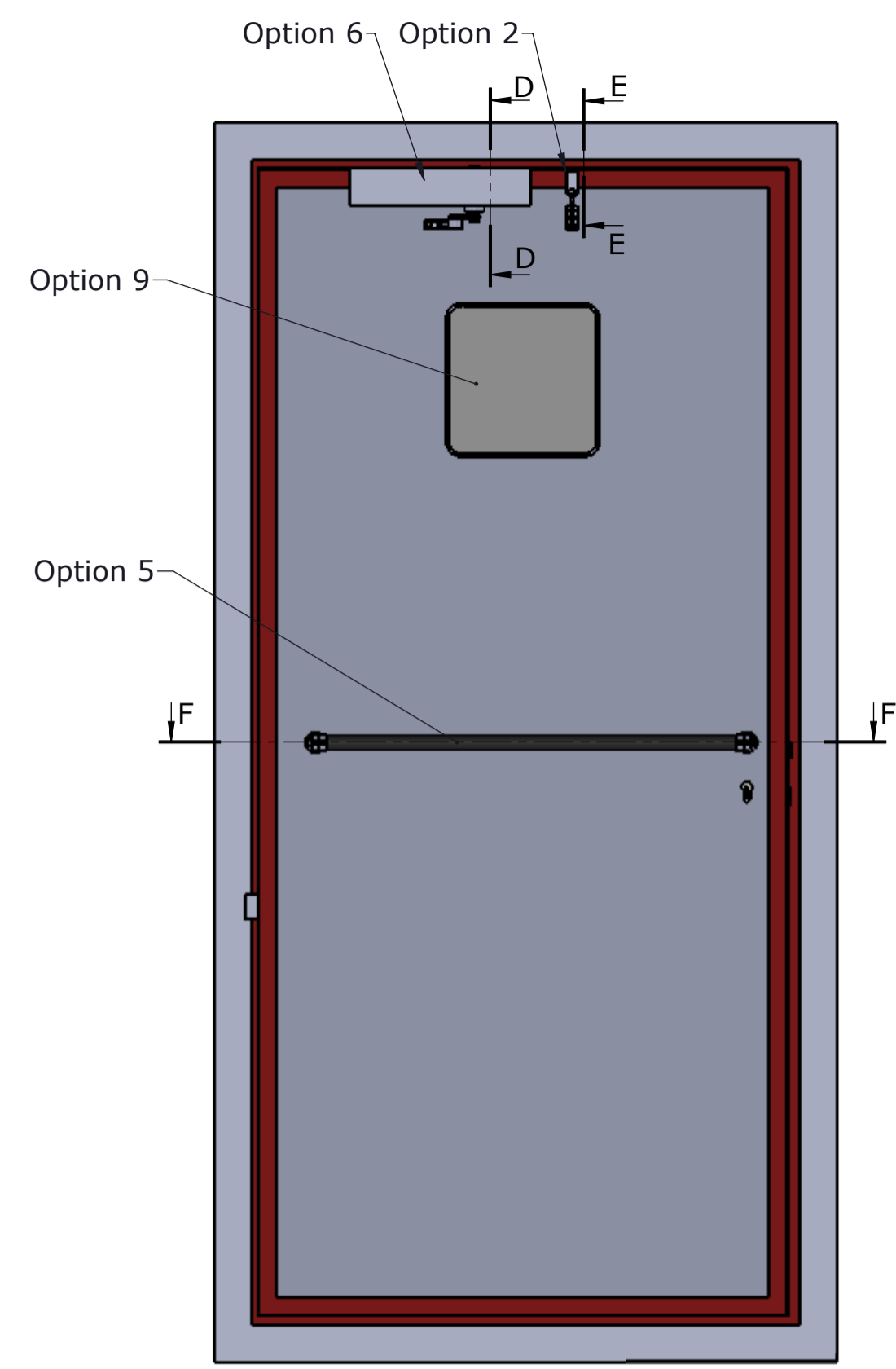
| Door | C.O.(W) | C.O.(H) | RH/LH | Handle height HH | Mat. door/frame | Options | Remarks |
|------|---------|---------|-------|------------------|-----------------|---------|---------|
| | | | | | | | |
| | | | | | | | |
| | | | | | | | |
| | | | | | | | |
| | | | | | | | |

THORMARINE
 THORMARINE B.V. Kamploan 9, 9722SG Groningen, Holland
 Tel: +31(0)50 5274003 Fax: +31(0)84 7203498
 E-mail: sales@thormarine.eu Web: www.thormarine.eu

DRAWING DESCRIPTION:
A60 rated door

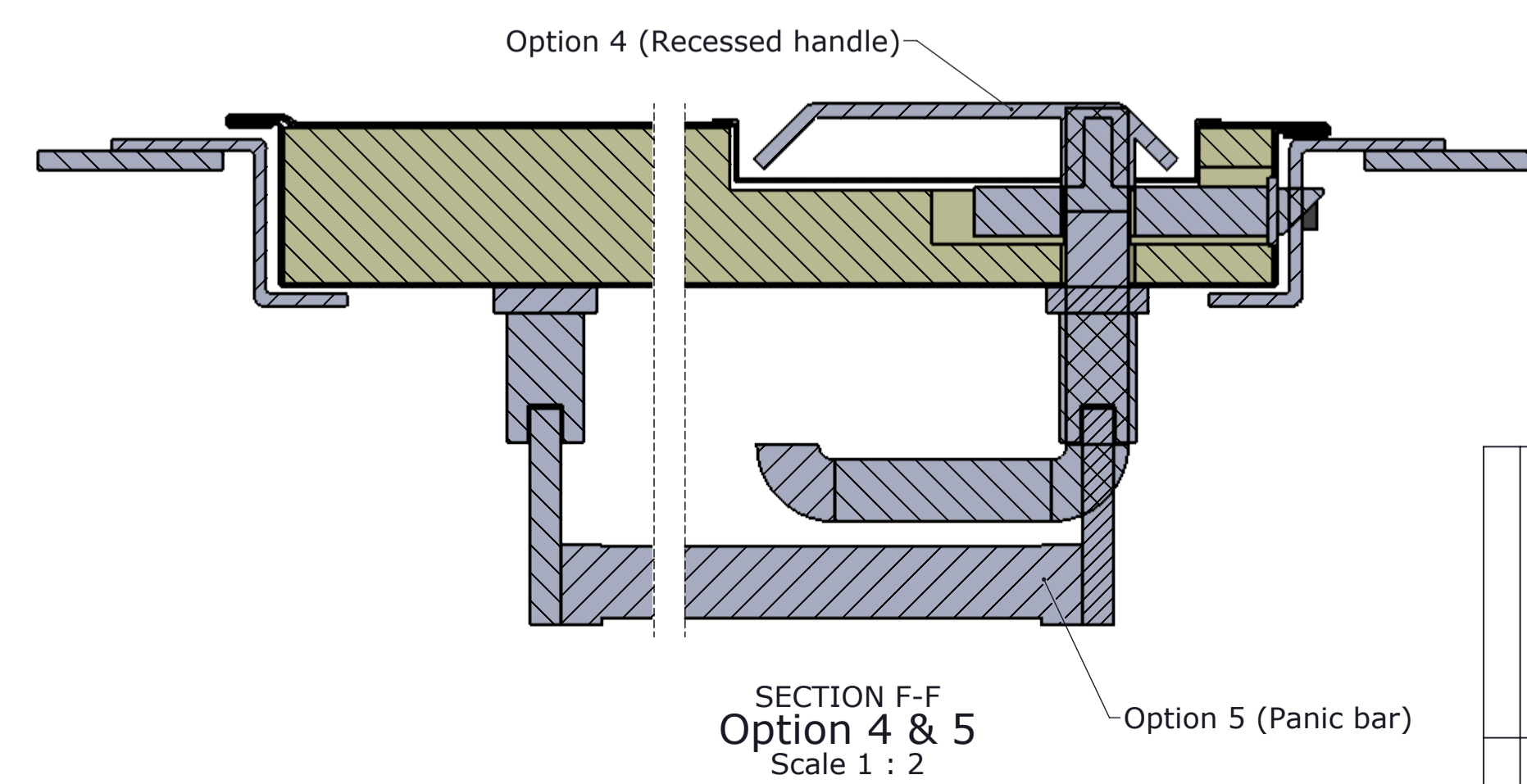
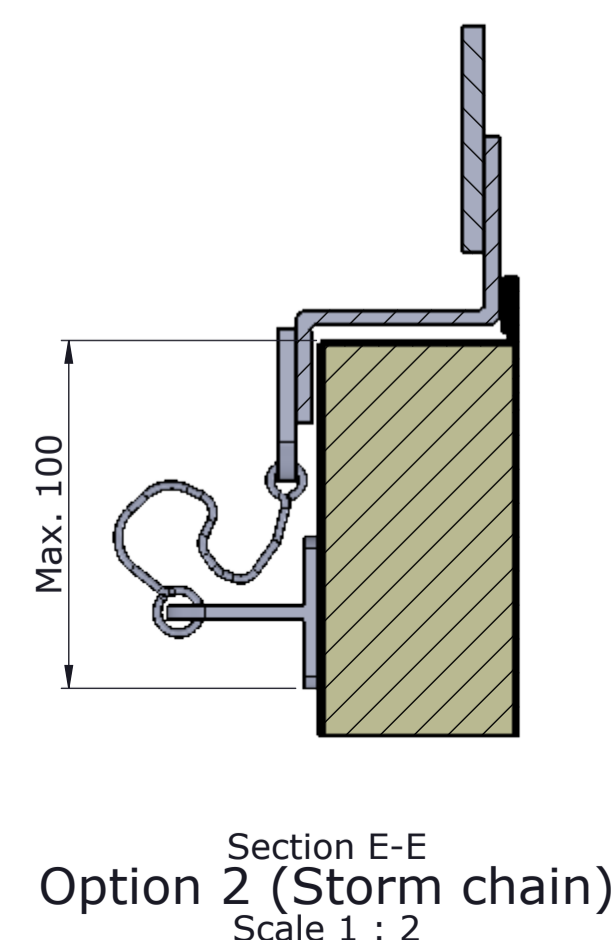
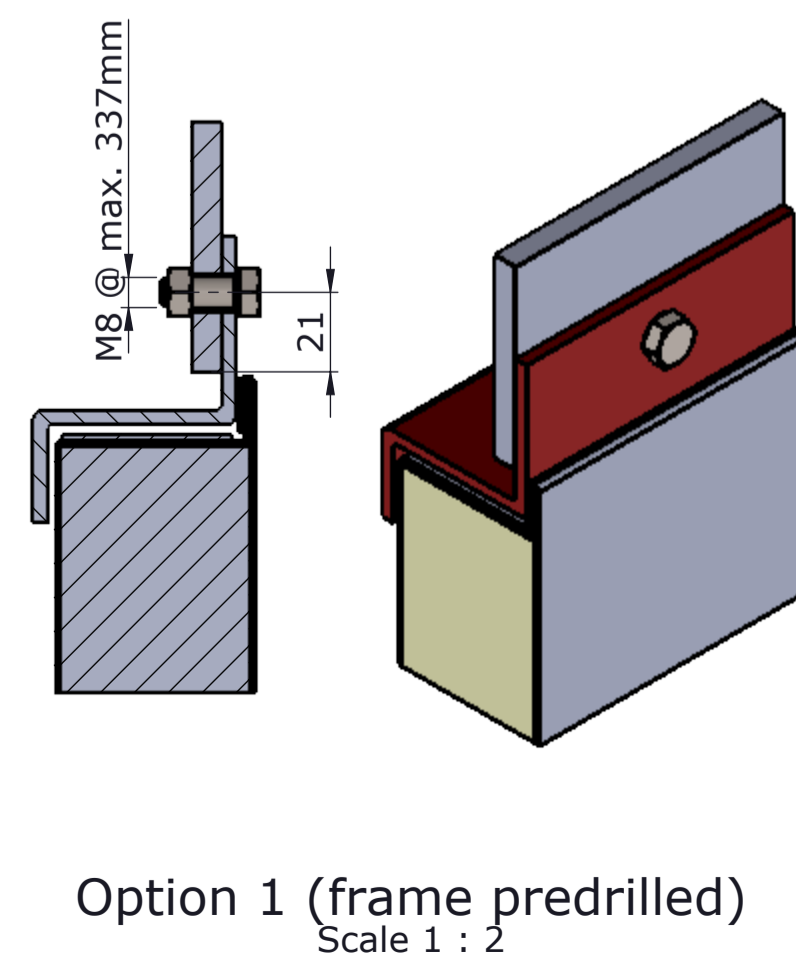
DRAWN BY: PW DRAWING NUMBER: TM-A60-SL /0 SCALE: 1:10
 DATE: 11-08-2014
 SHEET No: 1 TOTAL SHEETS: 2 PROJECT No: AREA No: DRAWING No: REV No: A1

A60 RATED DOOR (OPTIONS)



Options (for details see sheet 2-2)

| | |
|----|--|
| 0 | Sill type (A,B,C,D) |
| 1 | Frame predrilled for bolting (M8 @100mm) |
| 2 | Storm chain, mounted inside (loose delivery) |
| 3 | Stainless steel hinges (3 pcs.) |
| 4 | Recessed doorhandle outside with stainless steel inlet |
| 5A | Panic bar DIN 1125 WSS - PS 99 (single) |
| 5B | Panic bar DIN 1125 WSS - PS 99 (3 points lock) |
| 6A | Doorcloser Dorma TS83-7, stainless housing (inside) |
| 6B | Doorcloser Dorma TS83-7, stainless housing (outside) |
| 7 | Eurocylinder (incl. 3 keys) |
| 8 | Seal frame |
| 9 | Window 250x250x27mm (A60 rated) |
| 9A | 250x250x27mm |
| 9B | 400x400x27mm |
| 9C | 400x600x27mm |



THORMARINE
THORMARINE B.V. Kamploan 9, 9722SG Groningen, Holland
Tel: +31(0)50 5274003 Fax: +31(0)84 7203498
E-mail: sales@thormarine.eu Web: www.thormarine.eu

DRAWING DESCRIPTION: **A60 rated door**

| | | | | | |
|------------|------------|-----------------|--------------|--------------|------|
| DATE | 11-08-2014 | DRAWING NUMBER: | TM-A60-SL /0 | SCALE: | 1:10 |
| DRAWN BY: | PW | TOTAL SHEETS: | 2 | PROJECT No.: | |
| SHEET No.: | 2 | AREA No.: | | DRAWING No.: | |
| REV. No.: | | REV. No.: | | REV. No.: | A1 |