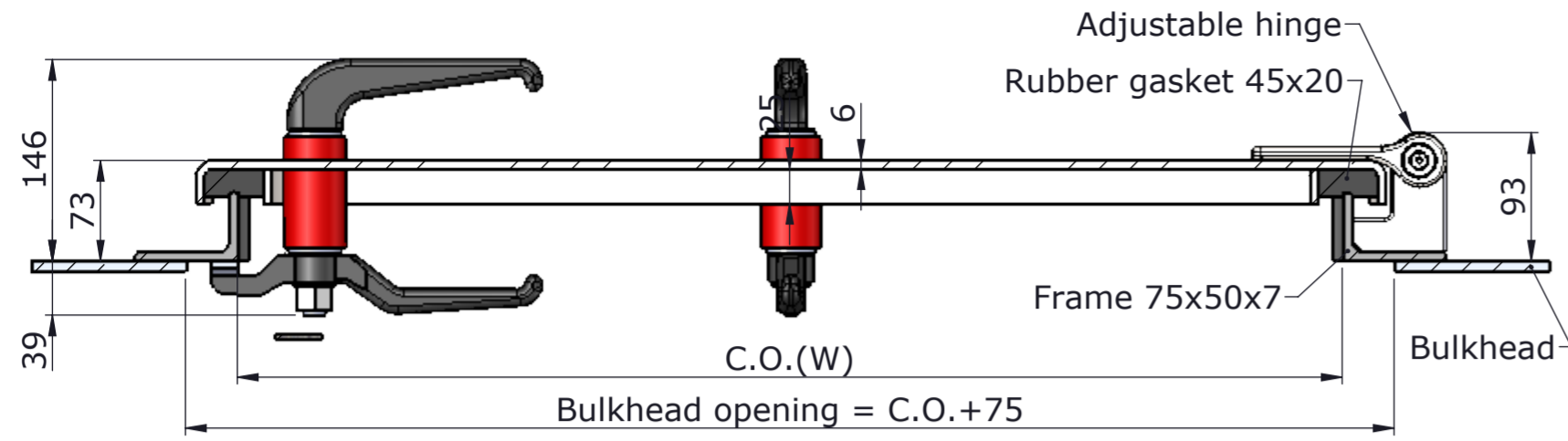
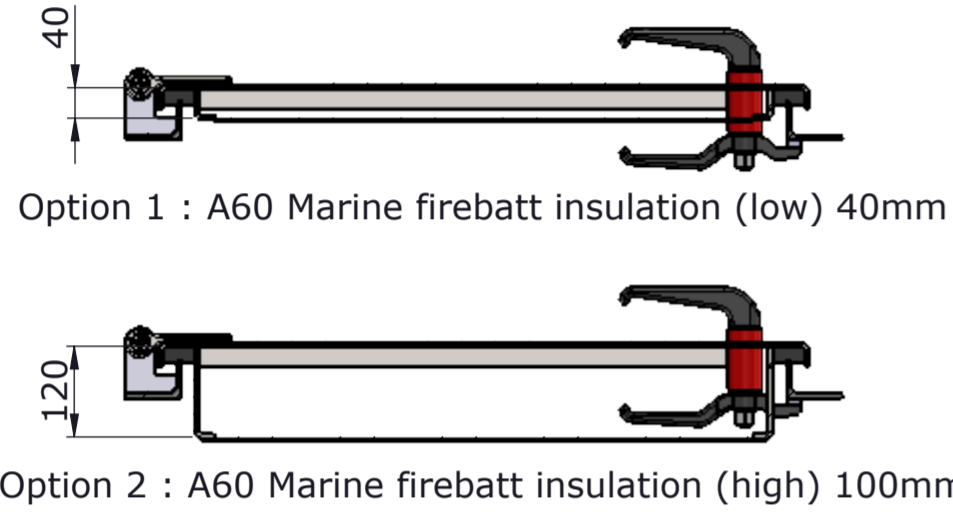


# WATERTIGHT DIN CLIPS DOOR

# NON INSULATED DOOR

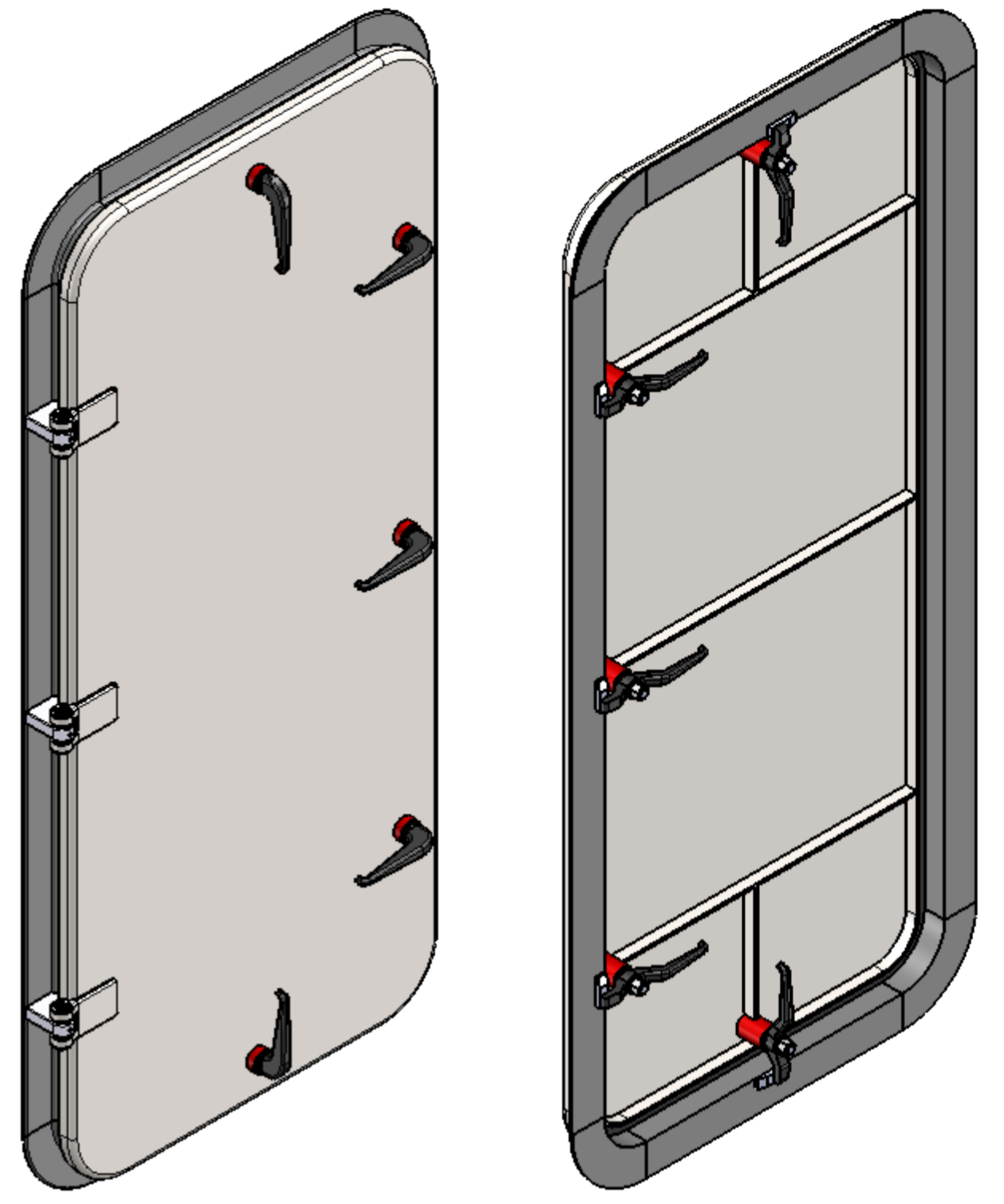
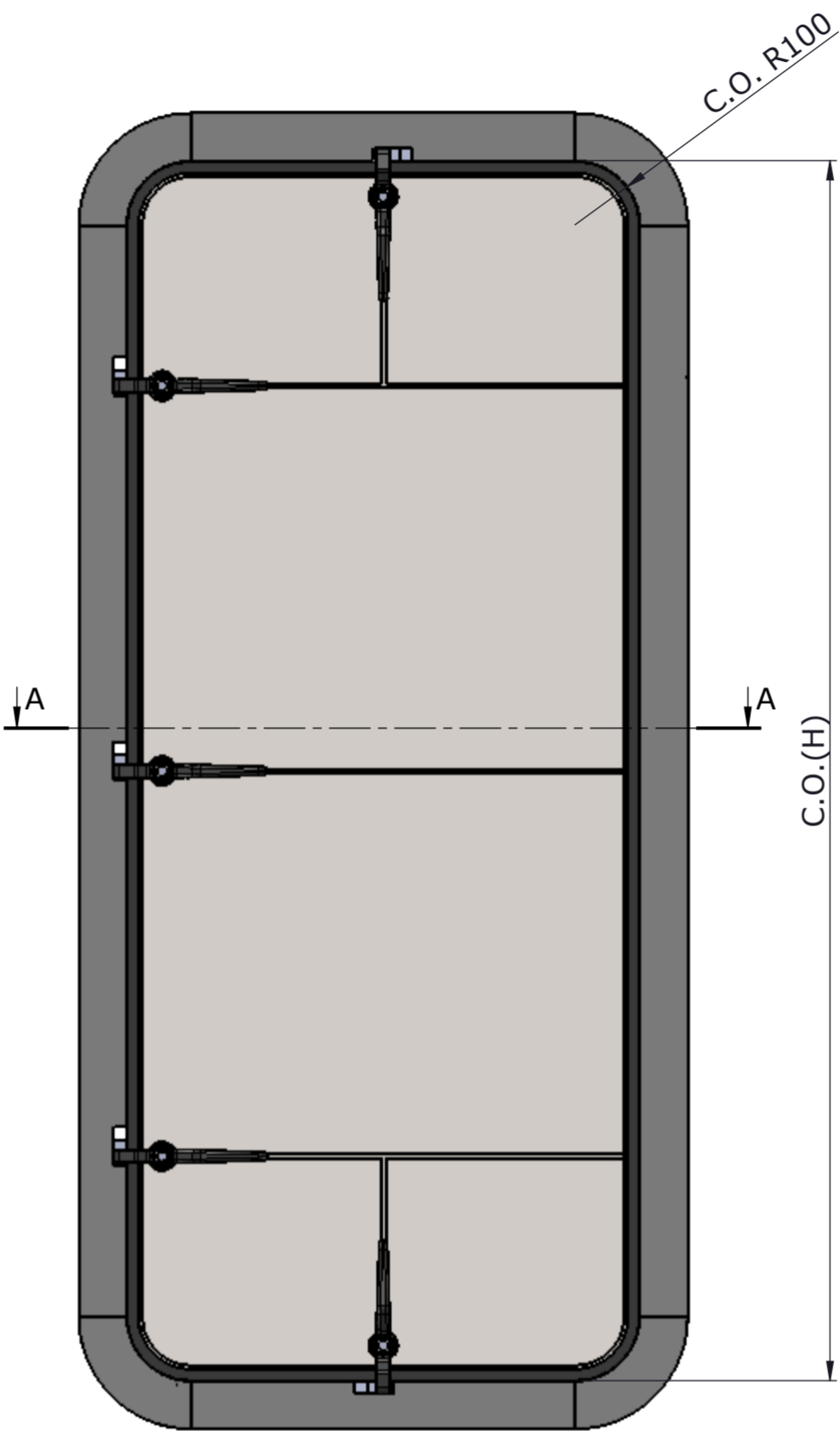
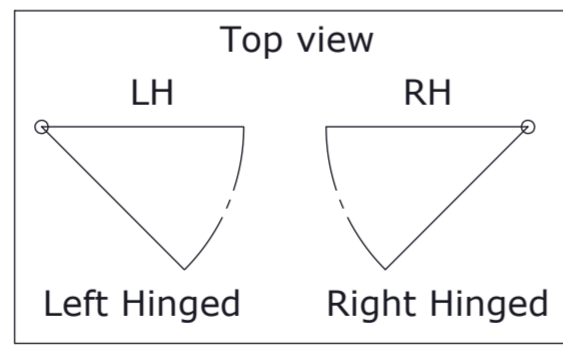


Section A-A



Material door & frame	
SS	Steel door / Steel frame
AS	Aluminium door / Steel frame
AA	Aluminium door / aluminium frame
316	Stainless steel door / stainless steel frame

Options	
1	A60 Marine Firebatt insulation (low) 40mm
2	A60 Marine Firebatt insulation (high) 100mm
3	Lock with 3 keys
3a	Dead lock with 3 keys
3b	Mortise lock with 3 keys
4	Hasp & eye for padlock
5	Doorstopper DIN 81406
6	Doorcloser Dorma
7	Storm chain
8	Port hole dia.200x12 (Brass)
9	Port hole dia.250x12 (Brass)
10	Port hole dia 300x12 (Brass)
11	Window 600x400x12
12	Bolted frame



Door	C.O.(W)	C.O.(H)	RH/LH	Qty. clips	Mat. door/frame	Options	Remarks

THORMARINE BV, Kamplaan 9, 9722SG Groningen, Holland  
 Tel: +31(0)50 5274003 Fax: +31(0)84 7203498  
 E-mail: sales@thormarine.eu Web: www.thormarine.eu

DRAWING DESCRIPTION:  
**Watertight DIN clips DOOR**

DRAWN BY: PW	DRAWING NUMBER: TM-WTD-DC5 /	SCALE: 1:10
DATE: 18-06-2019		SIZE: A2
SHEET No: 1	TOTAL SHEETS: 1	PROJECT No: AREA No: DRAWING No: REV. No:

© This drawing and the design and information it presents are the exclusive intellectual property of Argos Engineering and may not be copied, nor communicated to any third party without written consent.