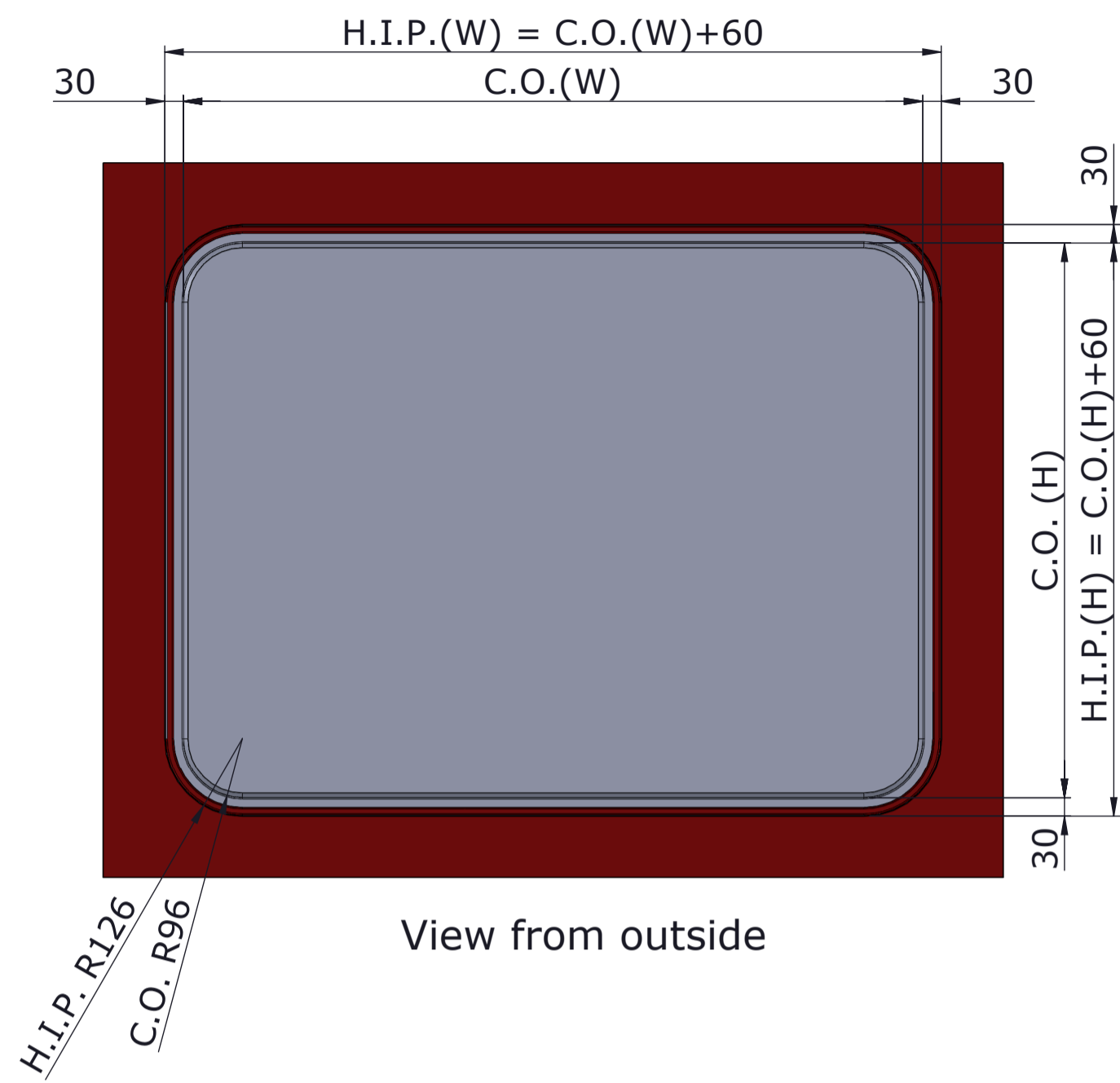
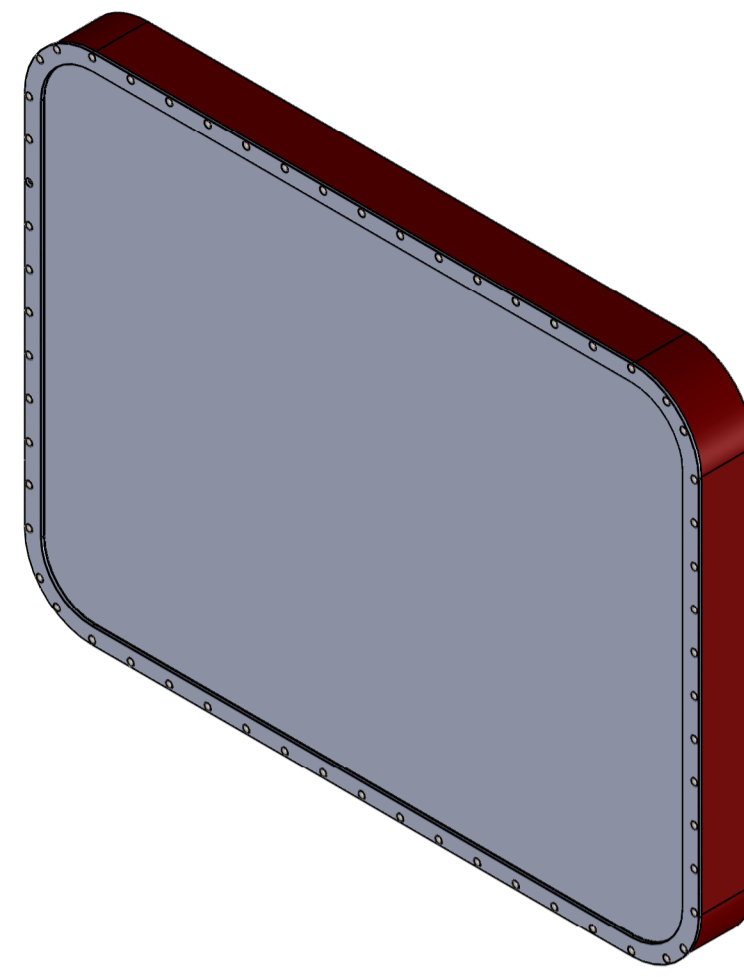


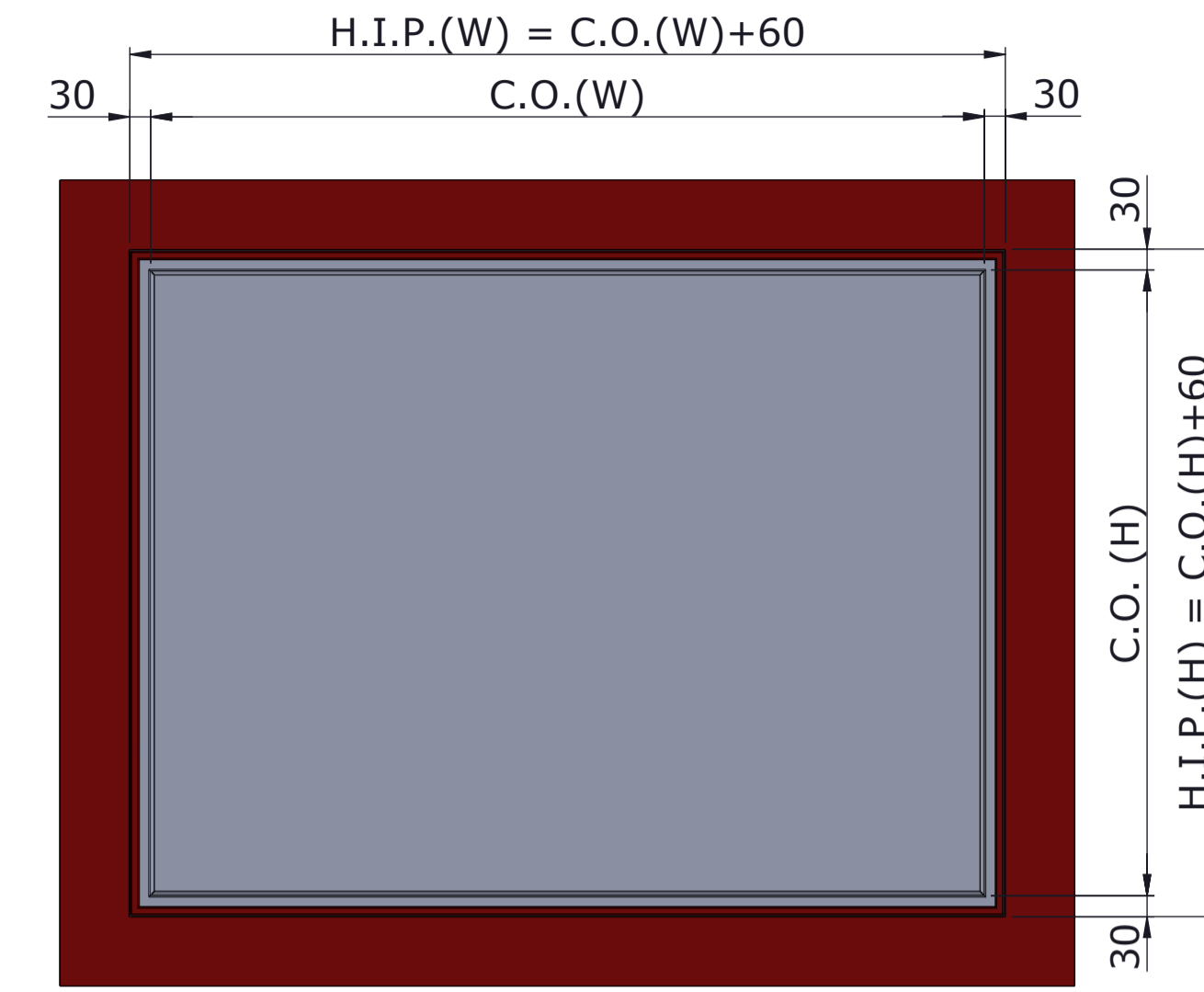
Window round corners (RC)



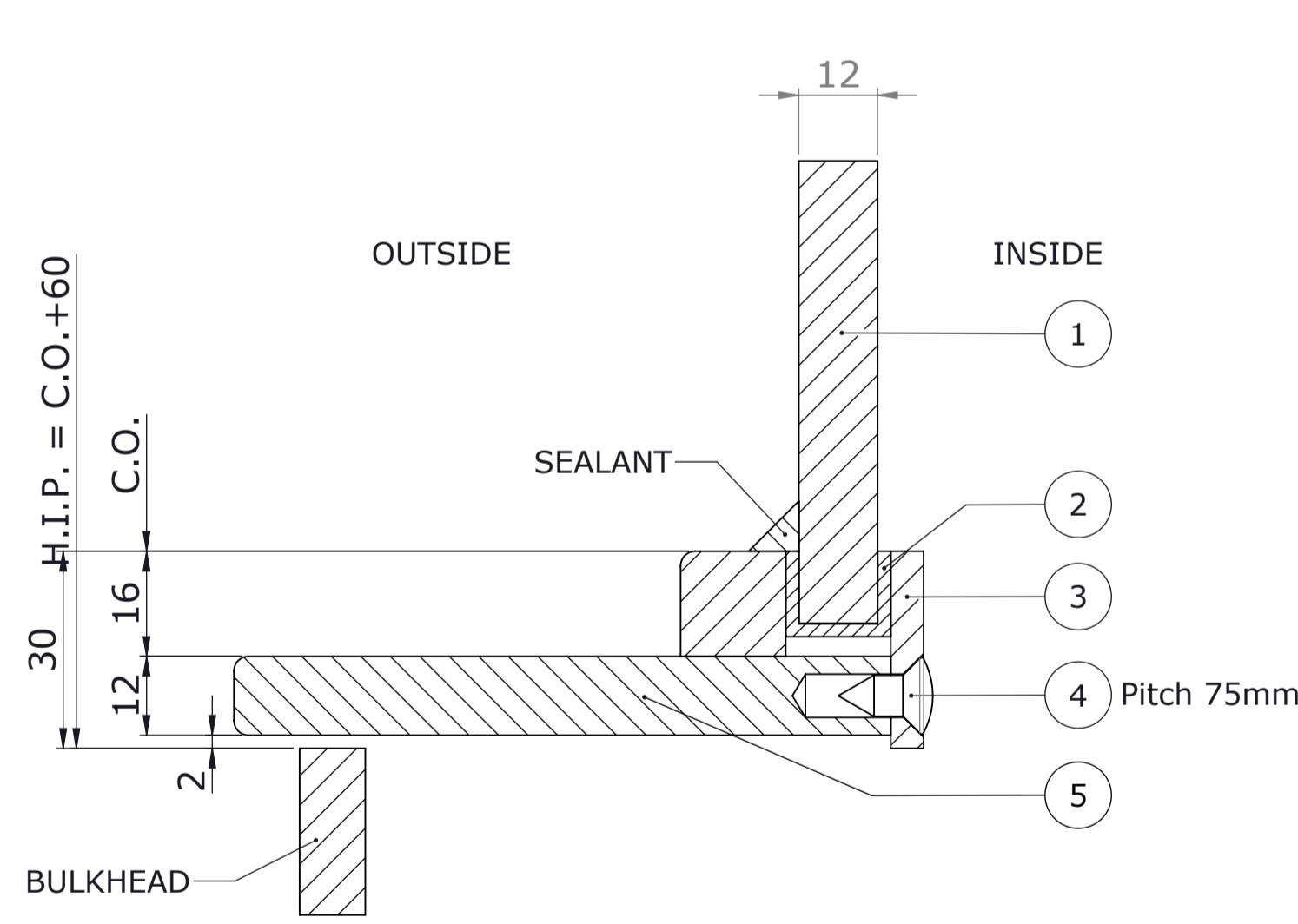
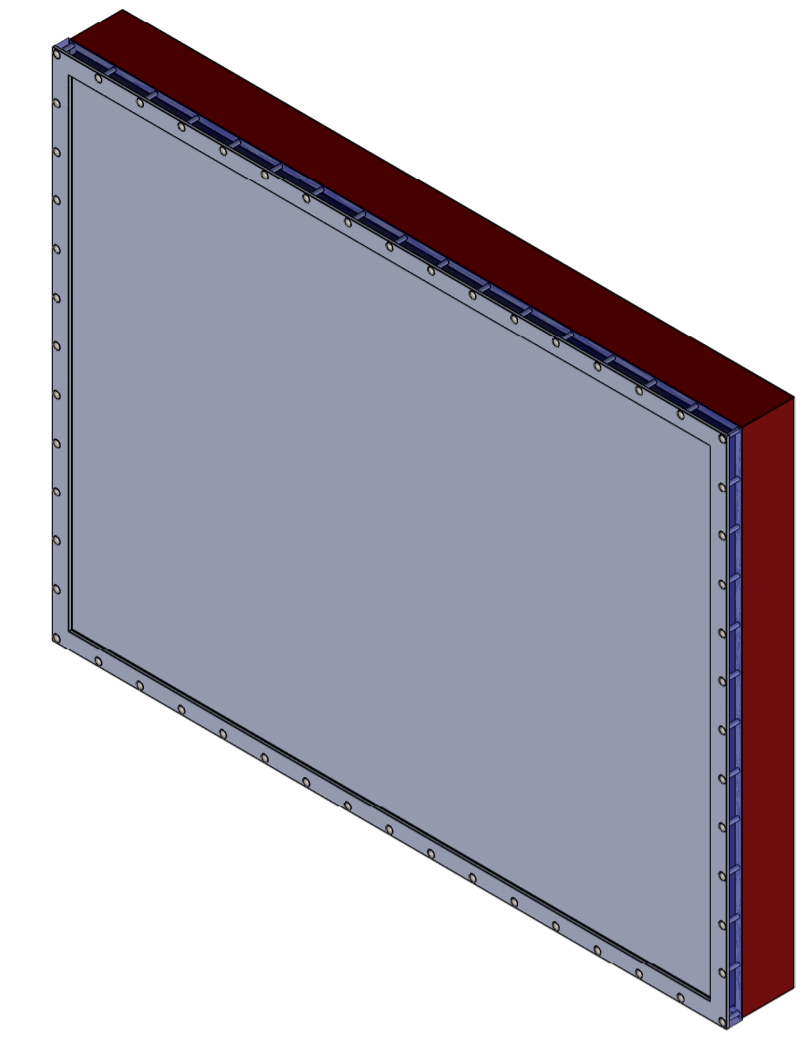
View from outside



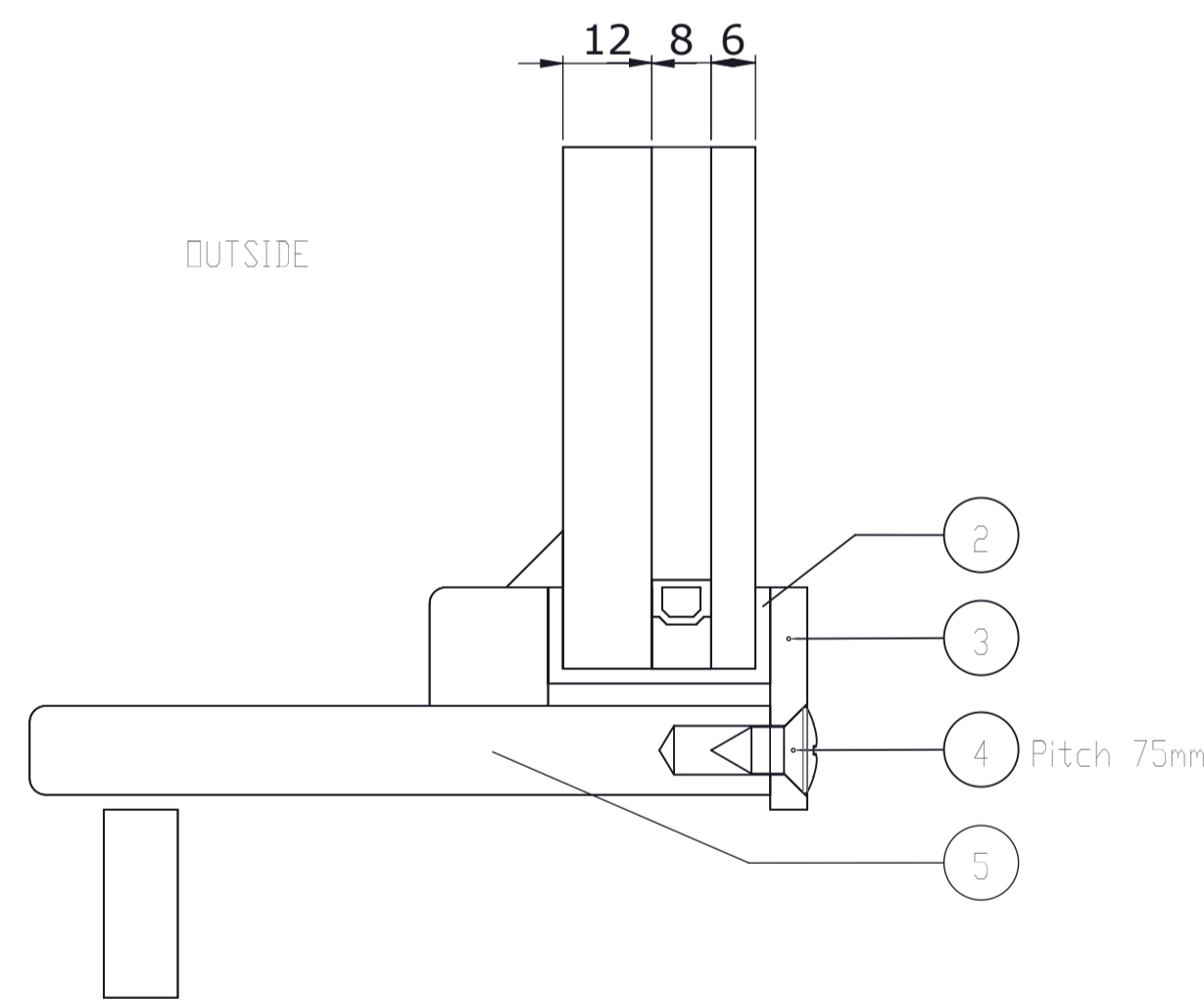
window Straight corners (SC)



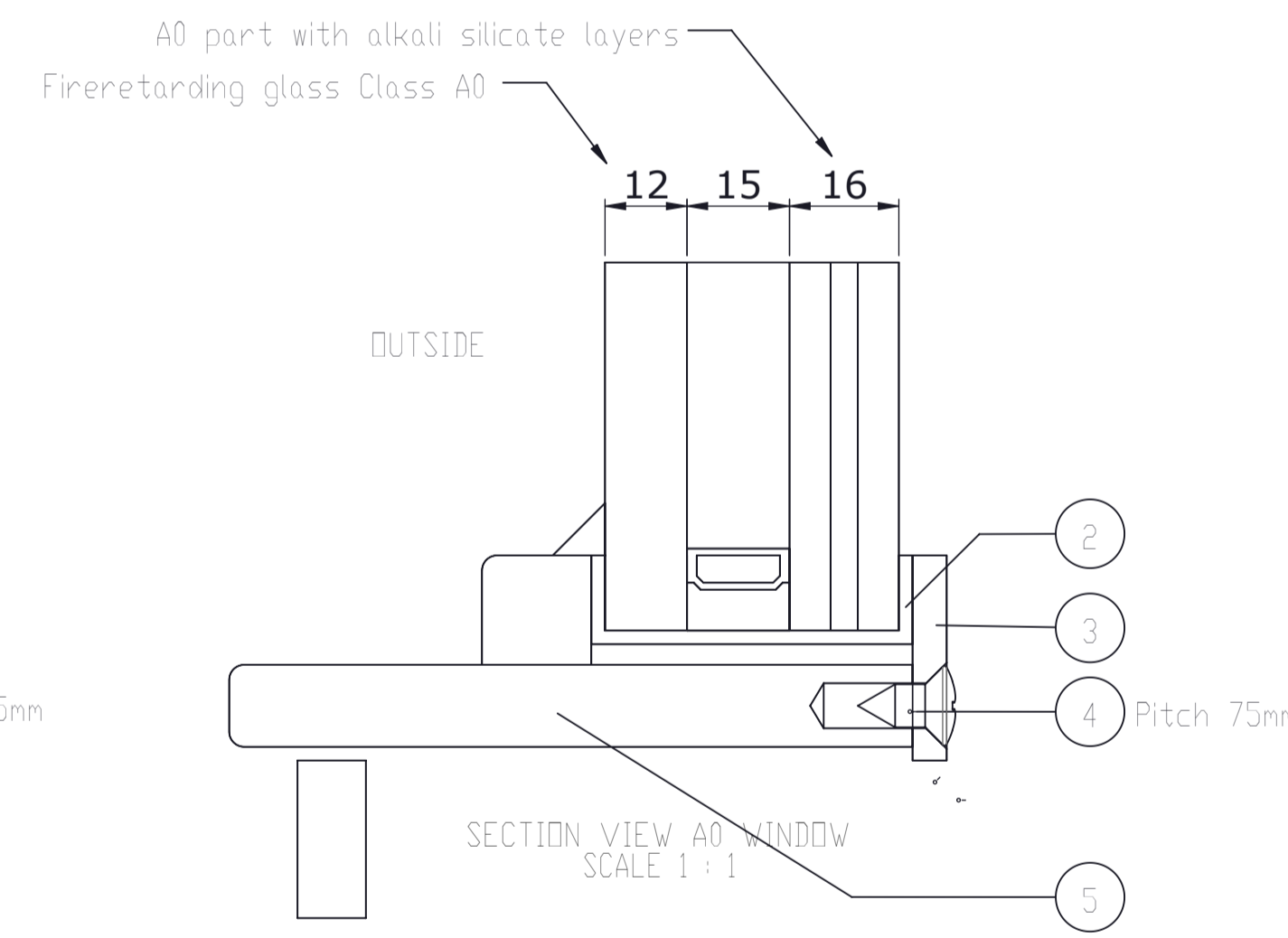
View from outside



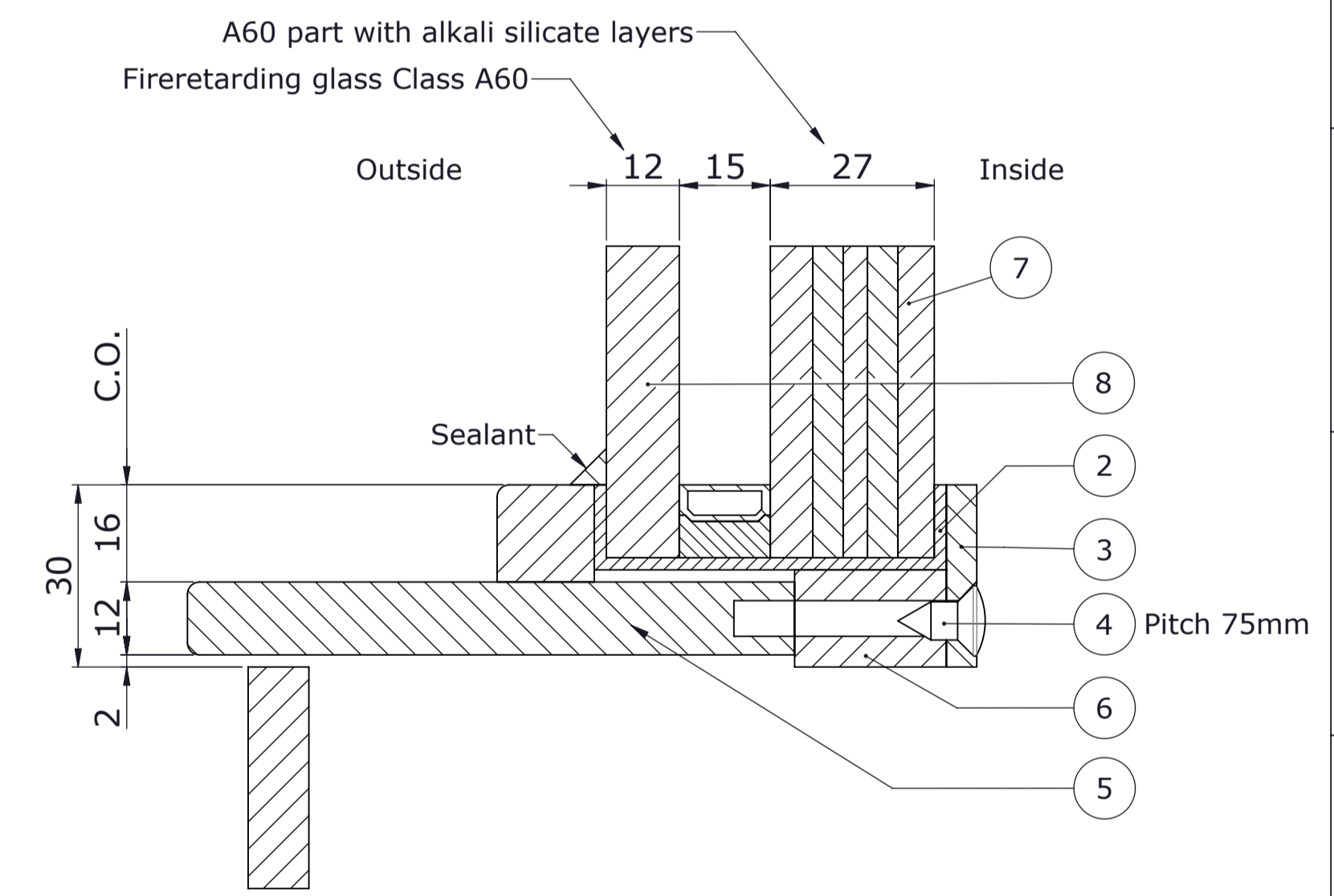
SECTION VIEW 12MM WINDOW
SCALE 1 : 1



SECTION INSULATING 12-8-6MM WINDOW
SCALE 1 : 1



SECTION VIEW A0 WINDOW
SCALE 1 : 1



SECTION VIEW A60 WINDOW
SCALE 1 : 1

Window	H.I.P.	H.I.P.	Corners (RC /SC)	Material Frame	Material retaining list

9	1	FIRERETARDING GLASS	CLASS A60	THICK 12MM
8	1	FIRERETARDING GLASS	CLASS A60	THICK 27MM
7	1	A60 GASKET	CR	FIRERETARDING NM-1236
6	1	A60 GASKET	CR	FIRERETARDING NM-1864-54
5	1	WELDING FRAME	MILD STEEL	100x12
4	-	CROSSNECK SCREWS	BRASS	M6x16
3	1	RETAINING LIST	BRASS	30x5
2	1	GASKET	EPDM	NM1864-12
1	1	GLASS	TOUGHENED GLASS	THICK 12MM
ITEM	QTY.	DESCRIPTION	MATERIAL	REMARKS

THORMARINE

THORMARINE BV, Kamplaan 9, 9722SG Groningen, Holland
Tel: +31(0)50 5274003 Fax: +31(0)84 7203498
E-mail: sales@thormarine.eu Web: www.thormarine.eu

DRAWING DESCRIPTION:
Fixed window (round corners / straight corners)

DRAWN BY: Pier DRAWING NUMBER: TM

DATE: 05-01-2016 SCALE: 1:10

SHEET No: 1 TOTAL SHEETS: 1 PROJECT No: AREA No: DRAWING No: REV No: A1